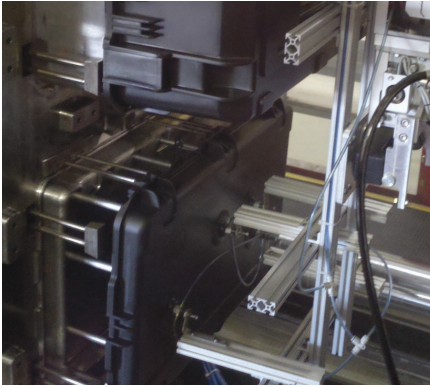




SINGLE LID CASES

The Ultimate Protection For Your Sensitive Equipment

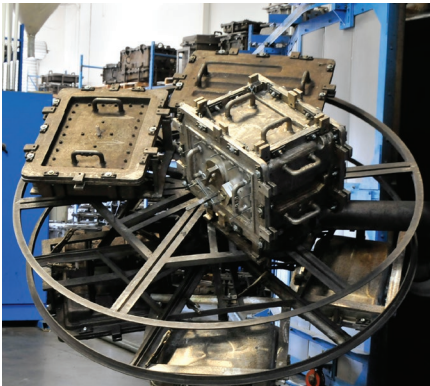




One of our injection molders in action

INJECTION MOLD

This is SKB's latest venture in our quest to provide the most innovative hard shell case products. Injection molding is an expensive investment and there is no room for error. Made with extreme pressure, even the smallest injection molded part requires a very large and heavy mold. SKB has molds that are nearly 20 tons! Many of our parts, such as our patented Trigger Latches are produced by the injection mold process. Our 3i case series includes a gasket that makes the case watertight and dust proof. Our latest injection molded cases for guitars and basses are very popular with touring musicians. These cases have dual lives as they are also used for military weapons. Never before has an ATA flight case been so lightweight, yet so advanced.



Molds rotating during production

ROTO-MOLD

In 1997, SKB invested in roto-mold machinery. These molds are ideal for making larger cases and cylindrical cases. The PE roto-mold material starts as a fine powder that is measured according to the size of the case. The material is then sealed up in a multi-piece aluminum mold and fixed on a biaxial rotating wheel. The material is heated at 800° in a very large oven while constantly rotating. The powder melts and coats the inside of the mold and after cooling, the cast is disassembled and the case is removed. Roto-molding is great for providing maximum protection and can withstand maximum impact in transport.



Vacuum mold for keyboard case

VACUUM FORM

Also known as thermal form, this was the first and most recognized "SKB Style" case. This method is very popular for guitar or band instrument cases. In 1990, SKB developed the first vacuum formed rack case. Acrylonitrile Butadiene Styrene (ABS) or Polyethylene (PE) is formed into solid sheets of material. The sheets are heated and are vacuum formed around aluminum castings, thus taking the shape of the mold. The edges have the distinctive aluminum valance that provides rigid construction as well as a secure fit. Vacuum formed products are known for their light weight and extreme durability.

OUR STORY



SKB Owners/Founders: Dave Sanderson and Steve Kottman

In 1977, two ambitious college students developed the first SKB case in a small Anaheim, California garage. Today, SKB is known around the world as the leading innovator and manufacturer of the finest instrument and equipment cases. Since the inception of our company, in addition to SKB branded products, leading companies have proudly supplied SKB cases for protection of their own products. SKB builds cases for a variety of markets (Industrial/Military, Sports, Music and Photo/Video) and that diversity allows us to be more creative and innovative in our case designs across the board. We have a true sense of accomplishment for more than 40 years of steady growth and for our adherence to quality standards that has made us industry leaders. We never lose sight of the fact that our customers give us the opportunity to excel and we are grateful for their trust and loyalty. We remain dedicated to the assurance that every SKB case has been manufactured with an unconditional commitment to unsurpassed quality and superior protection.

TABLE OF CONTENTS

| | |
|--------------------------|-----------|
| iSERIES | 3 |
| R SERIES | 7 |
| MR SERIES | 9 |
| LP SERIES | 10 |
| TRIPOD CASES | 11 |
| MP SERIES | 12 |
| LS SERIES | 12 |
| FLAT SCREEN CASES | 13 |
| ACCESSORIES | 14 |
| CASES BY SIZE | 15 |



INJECTION MOLDED WATERTIGHT CASES



FEATURES

- Injection molded - High impact strength, 2.8x stronger than our competition
- Lightweight - Lighter than the competition
- Interior options - Empty, cubed, layered foam, padded dividers or custom foam
- Field replaceable hardware - Latches, handles, hinges and wheels
- Best latches in the industry - Trigger latches, open quickly and easily with one finger operation
- TSA lock options - Easy transportation through airport security
- 47 sizes and counting

ACCESSORIES

See page 14 for more information on available accessories

TSA Combination Padlocks (fits all 3i cases)

1SKB-PDL

1SKB-PDL-C

TSA Locking Latches

3i-TSA-1 Fits 3i-0907-4, 3i-0907-6

3i-TSA-2 Fits 3i-1209-4, 3i-1711-6, 3i-1813-5

3i-TSA-3 Fits all other iSeries models

- Military grade waterproof and dust-tight submersible design (IP67)
- Resistant to impact damage, UV, solvents, corrosion, and fungus (MIL-STD-810F)
- Automatic ambient pressure equalization valve (MIL-STD-648C)



Colored Handles

3i-HD73 Fits 3i-0806-3, 3i-1006-3, 3i-0907-4, 3i-0907-6, 3i-1309-6

3i-HD80 Fits 3i-1510-6, 3i-1610-5, 3i-1711-6, 3i-3614-6

Side handle for 3i-1813-7 & larger

3i-HD81 Fits 3i-1717-16 & larger

Pull Handle

3i-HD90-PHK Not compatible with 3i-1914-8, 3i-2617-12, 3i-2918-10, 3i-2918-14

Lid Organizers & Dividers

See page 14 for more information, or check skbcases.com for a full list of available options

Panel Mount Clip Kit (fits all 3i cases)

3i-PMCK

Shipping Label Plate

3SKB-SLP Not compatible with 3i-1610-5 and smaller

| Model # | Inside Dims (L x W x H) | Outside Dims (L x W x H) | Lid Depth | Base Depth | Weight Empty | Pull Handle/Wheels | Padded Dividers | Cubed Foam | Layered Foam |
|------------|--|--|------------------|-------------------|----------------------|--------------------|-----------------|------------|--------------|
| 3i-0702-1 | 7.76" x 2.15" x 1.3" 19.71 cm x 5.46 cm x 3.3 cm | 8.75" x 3.25" x 1.63" 22.22 cm x 8.25 cm x 4.14 cm | 0.5" 1.27 cm | 0.5" 1.27 cm | 0.3 lbs 0.14 kg | | | | X |
| 3i-0705-3 | 7.5" x 5" x 3.25" 19.05 cm x 12.7 cm x 8.25 cm | 8.36" x 6.7" x 3.83" 21.23 cm x 17 cm x 9.7 cm | 0.5" 1.27 cm | 2.75" 7.4 cm | 1.2 lbs 0.54 kg | | | X | |
| 3i-0806-3 | 8.5" x 6" x 3.75" 21.59 cm x 15.24 cm x 9.5 cm | 9.41" x 7.82" x 4.35" 23.9 cm x 19.8 cm x 11 cm | 0.5" 1.27 cm | 3.25" 8.25 cm | 1.7 lbs 0.77 kg | | | X | |
| 3i-0907-4 | 9.5" x 7.38" x 4.13" 24.13 cm x 18.75 cm x 10.4 cm | 10.73" x 9.69" x 4.8" 27.25 cm x 24.61 cm x 12.19 cm | 1.19" 3 cm | 2.94" 7.4 cm | 2.4 lbs 1.09 kg | | X | X | X |
| 3i-0907-6 | 9.38" x 7.38" x 6.13" 24.13 cm x 18.75 cm x 15.5 cm | 10.68" x 9.69" x 6.82" 27.12 cm x 24.61 cm x 17.32 cm | 1.19" 3 cm | 4.94" 12.5 cm | 2.8 lbs 1.27 kg | | X | X | X |
| 3i-1006-3 | 10.75" x 6.13" x 3.25" 27.3 cm x 15.5 cm x 8.25 cm | 11.72" x 8" x 3.86" 29.7 cm x 20.32 cm x 9.8 cm | 0.5" 1.27 cm | 3.25" 8.25 cm | 2 lbs 0.91 kg | | | X | |
| 3i-1209-4 | 12" x 9" x 4.5" 30.4 cm x 22.8 cm x 11.4 cm | 13.18" x 11.12" x 5.21" 33.48 cm x 28.24 cm x 13.23 cm | 1.5" 3.8 cm | 3" 7.63 cm | 3.2 lbs 1.45 kg | | X | X | X |
| 3i-1309-6 | 13.5" x 9.5" x 6.5" 34.3 cm x 24.1 cm x 16.5 cm | 14.73" x 11.94" x 7.31" 37.41 cm x 30.33 cm x 18.57 cm | 1.5" 3.8 cm | 5" 12.7 cm | 4.4 lbs 2 kg | | X | X | |
| 3i-1510-4 | 15" x 10.5" x 4.5" 38.1 cm x 26.67 cm x 11.4 cm | 16.25" x 13" x 5.3" 41.28 cm x 33 cm x 13.46 cm | 1.25" 3.18 cm | 3.25" 8.25 cm | 4.75 lbs 2.15 kg | | X | X | |
| 3i-1510-6 | 15" x 10.5" x 6" 38.1 cm x 26.67 cm x 15.2 cm | 16.24" x 12.94" x 6.78" 41.24 cm x 32.86 cm x 17.22 cm | 1.75" 4.4 cm | 4.25" 10.7 cm | 5.2 lbs 2.36 kg | | X | X | X |
| 3i-1510-9 | 15" x 10.5" x 9" 38.1 cm x 26.67 cm x 22.86 cm | 16.25" x 13" x 9.8" 41.28 cm x 33 cm x 24.89 cm | 1.75" 4.4 cm | 7.25" 18.42 cm | 6.15 lbs 2.79 kg | | | X | |
| 3i-1610-5 | 16" x 10" x 5.5" 40.6 cm x 25.4 cm x 13.9 cm | 17.17" x 12.17" x 6.21" 43.61 cm x 30.91 cm x 15.77 cm | 2" 5 cm | 3.5" 8.89 cm | 5 lbs 2.26 kg | | X | X | X |
| 3i-1610-10 | 16" x 10" x 10" 40.6 cm x 25.4 cm x 25.4 cm | 17.36" x 12.54" x 11.68" 44.09 cm x 31.85 cm x 29.67 cm | 1.5" 3.8 cm | 8.5" 21.6 cm | 8 lbs 3.63 kg | | X | X | |
| 3i-1706-6 | 17" x 6.5" x 6.5" 43.18 cm x 16.51 cm x 16.51 cm | 18.20" x 8.98" x 7.30" 46.22 cm x 22.80 cm x 18.54 cm | 2" 5 cm | 4.5" 11.43 cm | 4.8 lbs 2.18 kg | | X | X | |
| 3i-1711-6 | 17" x 11.5" x 6" 43.18 cm x 29.21 cm x 15.24 cm | 18.25" x 13.79" x 6.81" 46.36 cm x 35.03 cm x 17.3 cm | 1.75" 4.4 cm | 4.25" 10.8 cm | 6.1 lbs 2.77 cm | | X | X | X |
| 3i-1717-10 | 17" x 17" x 10" 43.18 cm x 43.18 cm x 25.4 cm | 19.5" x 19.7" x 10.9" 49.53 cm x 50.04 cm x 27.69 cm | 2" 5 cm | 8" 20.3 cm | 10.9 lbs 4.94 kg | | | X | |
| 3i-1717-16 | 17" x 17" x 16" 43.18 cm x 43.18 cm x 40.6 cm | 19.62" x 19.46" x 16.86" 49.83 cm x 49.43 cm x 42.82 cm | 2" 5 cm | 14" 35.56 cm | 13.4 lbs 6.08 kg | | | X | |
| 3i-1813-5 | 18.5" x 13" x 4.75" 47 cm x 33 cm x 12 cm | 19.68" x 15.18" x 5.46" 49.99 cm x 38.56 cm x 13.87 cm | 1.5" 3.8 cm | 3.25" 8.25 cm | 5.9 lbs 2.68 kg | | X | X | X |
| 3i-1813-7 | 18.5" x 13" x 7" 47 cm x 33 cm x 17.7 cm | 19.82" x 15.5" x 7.88" 50.34 cm x 42.55 cm x 24.97 cm | 1.5" 3.8 cm | 5.5" 13.9 cm | 6.7 lbs 3.02 kg | | X | X | |
| 3i-1914-8 | 19" x 14.5" x 8" 48.26 cm x 36.83 cm x 20 cm | 21.45" x 17.00" x 9.62" 54.48 cm x 43.18 cm x 24.43 cm | 2" 5 cm | 6" 15.24 cm | 12.9 lbs 5.85 kg | X | X | X | X |
| 3i-1914N-8 | 19" x 14.5" x 8" 48.26 cm x 36.83 cm x 20 cm | 20.25" x 16.93" x 8.78" 51.44 cm x 43 cm x 22.3 cm | 2" 5 cm | 6" 15.24 cm | 8 lbs 3.63 kg | | X | X | |
| 3i-2011-7 | 20.38" x 11.44" x 7.5" 51.7 cm x 29 cm x 19 cm | 21.89" x 13.96" x 9" 55.6 cm x 35.46 cm x 22.86 cm | 2" 5 cm | 5.5" 13.9 cm | 10.5 lbs 4.76 kg | X | X | X | |
| 3i-2011-8 | 20.38" x 11.44" x 8" 51.7 cm x 29 cm x 20.3 cm | 21.93" x 13.98" x 9" 55.7 cm x 35.51 cm x 22.86 cm | 2" 5 cm | 6.25" 15.8 cm | 7.9 lbs 3.56 kg | | X | X | |
| 3i-2015-7 | 20.5" x 15.5" x 7.5" 52 cm x 39.3 cm x 19 cm | 22.27" x 17.98" x 8.32" 56.57 cm x 45.67 cm x 21.13 cm | 2" 5 cm | 5.5" 13.9 cm | 8.9 lbs 4.04 kg | | X | X | |
| 3i-2015-10 | 20.5" x 15.5" x 10" 52 cm x 39.3 cm x 25.4 cm | 22.92" x 17.98" x 11.55" 58.22 cm x 45.67 cm x 29.34 cm | 2" 5 cm | 8" 20.3 cm | 13.2 lbs 6 kg | X | X | X | |
| 3i-2213-12 | 22" x 13" x 12" 55.88 cm x 33 cm x 30.48 cm | 24.32" x 15.5" x 14.38" 61.77 cm x 42.55 cm x 36.53 cm | 2" 5 cm | 10" 25.4 cm | 16.4 lbs 7.44 kg | X | X | X | |
| 3i-2215-8 | 22" x 15.5" x 8" 55.88 cm x 39.3 cm x 20 cm | 24.5" x 18.25" x 9.75" 62.33 cm x 46.36 cm x 24.77 cm | 2" 5 cm | 6" 15.24 cm | 16.02 lbs 7.27 kg | X | X | X | |
| 3i-2217-8 | 22" x 17" x 8" 55.88 cm x 43 cm x 20.32 cm | 24.32" x 19.5" x 8.86" 61.77 cm x 49.53 cm x 22.5 cm | 2" 5 cm | 6" 15.24 cm | 11 lbs 4.98 kg | | X | X | |
| 3i-2217-10 | 22" x 17" x 10.5" 55.88 cm x 43 cm x 26.67 cm | 24.5" x 19.37" x 12.22" 62.33 cm x 49.2 cm x 31.04 cm | 2" 5 cm | 8.5" 21.6 cm | 16.9 lbs 7.66 kg | X | X | X | |

| Model # | Inside Dims (L x W x H) | Outside Dims (L x W x H) | Lid Depth | Base Depth | Weight Empty | Pull Handle/Wheels | Padded Dividers | Cubed Foam | Layered Foam |
|------------|---|--|------------------|-------------------|-----------------------|--------------------|-----------------|------------|--------------|
| 3i-2217-12 | 22" x 17" x 12.75" 55.88 cm x 43 cm x 32.39 cm | 24.34" x 19.47" x 14.38" 61.82 cm x 49.45 cm x 36.53 cm | 2" 5 cm | 10.7" 27.18 cm | 18.2 lbs 8.25 kg | X | X | X | |
| 3i-2222-12 | 22.5" x 22.5" x 12.5" 57.15 cm x 57.15 cm x 31.75 cm | 24.82" x 25" x 14.15" 62.02 cm x 63.45 cm x 35.94 cm | 2" 5 cm | 10.5" 26.6 cm | 20.6 lbs 9.34 kg | X | X | X | |
| 3i-2317-14 | 23" x 17" x 14" 58.42 cm x 43 cm x 35.5 cm | 25.63" x 19.5" x 15.63" 65.09 cm x 49.53 cm x 39.69 cm | 2.5" 6.35 cm | 11.5" 29.2 cm | 20.7 lbs 9.39 kg | X | | X | |
| 3i-2421-7 | 24" x 21" x 7" 60.96 cm x 53.34 cm x 17.78 cm | 26.21" x 23.52" x 8.65" 66.57 cm x 59.74 cm x 21.97 cm | 2" 5 cm | 5" 12.7 cm | 23 lbs 10.43 kg | X | | X | |
| 3i-2424-14 | 24" x 24" x 14" 60.96 cm x 60.96 cm x 35.56 cm | 26.5" x 26.54" x 15.65" 67.31 cm x 67.41 cm x 39.75 cm | 2.5" 6.35 cm | 11.5" 29.2 cm | 24.5 lbs 11.11 kg | X | | X | |
| 3i-2617-12 | 26.08" x 17.5" x 12" 66.24 cm x 44.45 cm x 30.5 cm | 28.6" x 20" x 13.65" 72.64 cm x 50.8 cm x 24.67 cm | 2" 5 cm | 10" 25.4 cm | 20.8 lbs 9.4 kg | X | X | X | |
| 3i-2914-15 | 29" x 14" x 15" 73.66 cm x 35.56 cm x 38.1 cm | 32.8" x 16.68" x 15.87" 83.31 cm x 42.37 cm x 40.3 cm | 2" 5 cm | 13" 33 cm | 20.25 lbs 9.19 kg | X | | X | |
| 3i-2918-10 | 29" x 18" x 10.85" 73.66 cm x 45.7 cm x 27.5 cm | 31.66" x 20.54" x 12.5" 80.06 cm x 52.91 cm x 31.75 cm | 2" 5 cm | 8.85" 22 cm | 21.6 lbs 9.7 kg | X | X | X | |
| 3i-2918-14 | 29" x 18" x 14" 73.66 cm x 45.7 cm x 35.5 cm | 31.63" x 20.5" x 15.75" 80.33 cm x 52.07 cm x 40.01 cm | 2.5" 6.35 cm | 11.5" 29.2 cm | 23.2 lbs 10.52 kg | X | | X | |
| 3i-2922-10 | 29" x 22" x 10" 73.66 cm x 55.88 cm x 25.4 cm | 31.75" x 24.6" x 12.18" 80.65 cm x 62.48 cm x 30.94 cm | 2.02" 5.13 cm | 8.5" 21.6 cm | 26.81 lbs 12.16 kg | X | | X | |
| 3i-2922-16 | 29" x 22" x 16" 73.66 cm x 55.88 cm x 40.64 cm | 32" x 24.5" x 16.875" 81.28 cm x 62.23 cm x 42.86 cm | 2" 5 cm | 14" 35.56 cm | 28 lbs 12.7 kg | X | | X | |
| 3i-3016-10 | 30" x 16" x 10" 76.2 cm x 40.64 cm x 25.4 cm | 32.4" x 18.5" x 10.85" 82.3 cm x 46.99 cm x 27.56 cm | 2" 5 cm | 8" 20.3 cm | 18 lbs 8.16 kg | X | X | X | |
| 3i-3019-12 | 30.5" x 19.5" x 12" 77.47 cm x 49.53 cm x 30.48 cm | 33.42" x 22.04" x 12.87" 84.88 cm x 55.98 cm x 32.68 cm | 2" 5 cm | 10" 40.64 cm | 23.55 lbs 10.68 kg | X | | X | |
| 3i-3021-18 | 30" x 21" x 18" 76.2 cm x 53.3 cm x 45.7 cm | 32.94" x 23.53" x 18.87" 83.67 cm x 59.77 cm x 47.93 cm | 2" 5 cm | 16" 40.64 cm | 28.8 lbs 13 kg | X | | X | |
| 3i-3026-15 | 30.75" x 26" x 15.5" 78 cm x 66 cm x 39.3 cm | 33.71" x 28.53" x 16.37" 85.62 cm x 72.47 cm x 41.55 cm | 2" 5 cm | 13.5" 34.29 cm | 31.6 lbs 14.3 kg | X | | X | |
| 3i-3424-12 | 34.5" x 24.5" x 12.75" 87.63 cm x 62.23 cm x 32.3 cm | 37.44" x 27.04" x 13.62" 95 cm x 68.68 cm x 34.59 cm | 2" 5 cm | 10.75" 27.3 cm | 31.5 lbs 14.29 kg | X | | X | |
| 3i-3613-12 | 36" x 13.5" x 12" 91.44 cm x 34.2 cm x 30.5 cm | 38.67" x 16.05" x 10.47" 98.22 cm x 40.77 cm x 26.59 cm | 2" 5 cm | 10" 25.4 cm | 20.4 lbs 9.25 kg | X | X | | X |
| 3i-3614-6 | 36.5" x 14.5" x 6" 92.7 cm x 36.83 cm x 15 cm | 39.04" x 16.81" x 6.84" 99.16 cm x 42.7 cm x 17.37 cm | 1.5" 3.8 cm | 4.5" 11.43 cm | 15.2 lbs 6.89 kg | X | | | X |
| 3i-3913-12 | 39.3" x 13.57" x 12.67" 99.82 cm x 34.47 cm x 32.18 cm | 42" x 16" x 14" 106.68 cm x 40.64 cm x 35.56 cm | 2" 5 cm | 10.67" 27.1 cm | TBA | X | | | X |
| 3i-4213-12 | 42.5" x 13.5" x 12" 108 cm x 34.2 cm x 30.5 cm | 45.1" x 16.03" x 12.97" 114.55 cm x 40.72 cm x 32.94 cm | 2" 5 cm | 10" 25.4 cm | 22.6 lbs 10.25 kg | X | X | | X |
| 3i-4214-5 | 42.5" x 14.5" x 5.5" 107.9 cm x 36.83 cm x 14 cm | 44.96" x 16.98" x 6.34" 114.2 cm x 43.13 cm x 16.1 cm | 1.5" 3.8 cm | 4" 10.16 cm | 16.5 lbs 7.48 kg | X | | | X |
| 3i-4217-7 | 42.5" x 17" x 7.52" 107.9 cm x 43.18 cm x 19.1 cm | 45.12" x 19.45" x 8.34" 114.6 cm x 49.4 cm x 21.18 cm | 2" 5 cm | 5.5" 13.9 cm | 20.3 lbs 9.21 kg | X | | | X |
| 3i-4414-10 | 44.5" x 14.5" x 10" 113.03 cm x 36.83 cm x 25.4 cm | 47" x 17" x 10.875" 119.38 cm x 43.18 cm x 27.62 cm | 2" 5 cm | 8" 20.3 cm | 22.89 lbs 10.38 kg | X | X | | X |
| 3i-4719-8 | 47" x 19" x 8" 119.38 cm x 48.26 cm x 20.32 cm | 49.66" x 21.51" x 8.87" 126.13 cm x 54.63 cm x 22.52 cm | 2" 5 cm | 5.5" 13.9 cm | 23.4 lbs 10.61 kg | X | | | X |
| 3i-4909-5 | 49" x 9" x 5" 124.5 cm x 22.9 cm x 12.7 cm | 50.35" x 11.54" x 5.84" 127.89 cm x 29.31 cm x 14.83 cm | 1.5" 3.8 cm | 3.5" 8.9 cm | 12.5 lbs 5.67 kg | | | | X |
| 3i-5014-6 | 50.5" x 14.5" x 6" 128.27 cm x 36.83 cm x 15 cm | 53.04" x 16.98" x 6.84" 134.72 cm x 43.13 cm x 17.37 cm | 1.5" 3.8 cm | 4.5" 11.43 cm | 19.2 lbs 8.7 kg | X | | | X |
| 3i-5616-9 | 56" x 16" x 9" 142.24 cm x 40.64 cm x 22.86 cm | 58.71" x 18.55" x 10.63" 149.12 cm x 47.12 cm x 27 cm | 2" 5 cm | 7" 17.78 cm | 29.55 lbs 13.4 kg | X | | | X |
| 3i-6018-8 | 60" x 18" x 8" 152.4 cm x 45.72 cm x 20.32 cm | 62.71" x 20.62" x 9.63" 159.28 cm x 52.37 cm x 24.46 cm | 2" 5 cm | 6" 15.24 cm | 31 lbs 14.06 kg | X | | | X |

ROTATIONALLY MOLDED WATERTIGHT CASES



3R2222-12B-CW

3R2727-27B-E
See reference chart for models with available "slide-mount" caster kits



3R4417-8B-EW



3R6820-20B-EW



3R5123-23
See reference chart for models with available Forklift Riser Kits



FEATURES

- UV, solvent, corrosion, and fungus resistant (MIL-STD-810F)
- Complete gasket seal provides waterproof and dust-tight construction (MIL-C-4150J)
- Automatic ambient pressure equalization valve (MIL-STD-648C & IP67)
- Powder coated stainless steel hardware helps prevent rusting
- Comfortable, spring-loaded, rubber over-molded handles

AVAILABLE SIZES

| Model # | Inside Dims (L x W x H) | Lid Depth | Base Depth | Standard Hardware | | Optional Kits | | | | |
|------------|--|------------------|-------------------|--------------------|-------------|---------------|--------------------|------------|--------------|---|
| | | | | Pull Handle/Wheels | Edge Wheels | Caster Kit | Forklift Riser Kit | Cubed Foam | Layered Foam | |
| 3R1919-14B | 19" x 19" x 14.63" / 48.26 cm x 48.26 cm x 37.16 cm | 3.25" / 8.26 cm | 11.37" / 28.88 cm | X | | | | | X | |
| 3R2216-15B | 22" x 16" x 15" / 55.88 cm x 40.64 cm x 38.1 cm | 3" / 7.62 cm | 12" / 30.48 cm | | | | | | | |
| 3R2217-10B | 22" x 17" x 10.5" / 55.88 cm x 43.18 cm x 26.67 cm | 3" / 7.62 cm | 7.5" / 19.05 cm | X | | | | | X | |
| 3R2222-12B | 22" x 22" x 12" / 55.88 cm x 55.88 cm x 30.48 cm | 3" / 7.62 cm | 9" / 22.86 cm | X | | | | | X | |
| 3R2222-20B | 22" x 22" x 20" / 55.88 cm x 55.88 cm x 50.8 cm | 3.5" / 8.89 cm | 16.5" / 41.91 cm | | | X | X | | X | |
| 3R2423-17B | 24" x 23" x 17" / 60.96 cm x 58.42 cm x 43.18 cm | 3.5" / 8.89 cm | 13.5" / 34.29 cm | X | | | | | X | |
| 3R2424-24B | 24" x 24" x 24" / 60.96 cm x 60.96 cm x 60.96 cm | 3.5" / 8.89 cm | 20.5" / 52.07 cm | | | X | X | | | X |
| 3R2727-18B | 27" x 27" x 18" / 68.58 cm x 68.58 cm x 45.72 cm | 3.5" / 8.89 cm | 14.5" / 36.83 cm | | | X | X | | | X |
| 3R2727-27B | 27" x 27" x 27" / 68.58 cm x 68.58 cm x 68.58 cm | 3.5" / 8.89 cm | 23.5" / 59.69 cm | | | X | X | | | X |
| 3R2817-10B | 28.75" x 17.5" x 10.62" / 73.03 cm x 44.45 cm x 26.97 cm | 2" / 5.08 cm | 8.62" / 21.89 cm | X | | | | | X | |
| 3R3025-15B | 30" x 25" x 15" / 76.2 cm x 63.5 cm x 38.1 cm | 3.5" / 8.89 cm | 11.5" / 29.21 cm | X | | | | | X | |
| 3R3214-15B | 32" x 14.5" x 15.75" / 81.28 cm x 36.83 cm x 40 cm | 3.25" / 8.26 cm | 12.5" / 31.75 cm | X | | | | | X | |
| 3R3221-7B | 32" x 21" x 7" / 81.28 cm x 53.34 cm x 17.78 cm | 2.2" / 5.59 cm | 4.8" / 12.19 cm | X | | | | | X | |
| 3R3517-14B | 35.75" x 17.12 x 14.5" / 90.8 cm x 43.48 cm x 36.83 cm | 3" / 7.62 cm | 11.5" / 29.21 cm | | X | | | | | |
| 3R3821-7B | 38.5" x 21.25" x 7.05" / 97.79 cm x 53.98 cm x 17.91 cm | 3.15" / 8 cm | 4.9" / 12.45 cm | X | X | | | | X | X |
| 3R4024-18B | 40" x 24" x 18" / 101.6 cm x 60.96 cm x 45.72 cm | 3.5" / 8.89 cm | 14.5" / 36.83 cm | | X | X | X | | | X |
| 3R4024-24B | 40" x 24" x 24" / 101.6 cm x 60.96 cm x 60.96 cm | 3.5" / 8.89 cm | 20.5" / 52.07 cm | | X | X | X | | | X |
| 3R4035-5 | 39.7" x 35.6" x 5.25" / 100.84 cm x 90.42 cm x 13.34 cm | 2.3" / 5.84 cm | 2.95" / 7.49 cm | | | | | | | |
| 3R4222-14B | 42" x 22" x 14.9" / 106.68 cm x 55.88 cm x 37.85 cm | 7.9" / 20.07 cm | 7" / 17.78 cm | | X | | | | | X |
| 3R4222-15B | 42" x 22" x 15" / 106.68 cm x 55.88 cm x 38.1 cm | 3.5" / 8.89 cm | 11.5" / 29.21 cm | | X | | | | | X |
| 3R4222-24B | 42" x 22" x 24" / 106.68 cm x 55.88 cm x 60.96 cm | 3.4" / 8.64 cm | 20.6" / 52.07 cm | | X | | | | | X |
| 3R4417-8B | 44.25" x 17.5" x 8" / 112.4 cm x 44.45 cm x 20.32 cm | 3.12" / 7.92 cm | 4.87" / 12.37 cm | X | | | | | | |
| 3R4530-24B | 45" x 30" x 24" / 114.3 cm x 76.2 cm x 60.96 cm | 3.5" / 8.89 cm | 20.5" / 52.07 cm | | X | X | X | | | X |
| 3R4909-5B | 49.5" x 9" x 5.5" / 125.73 cm x 22.86 cm x 13.97 cm | 2.25" / 5.72 cm | 3.25" / 8.26 cm | | | | | | | |
| 3R5030-24B | 50" x 30" x 24" / 127 cm x 76.2 cm x 60.96 cm | 3.5" / 8.89 cm | 20.5" / 52.07 cm | | X | X | X | | | X |
| 3R5123-21B | 51.5" x 23.5" x 21.5" / 130.81 cm x 59.69 cm x 54.61 cm | 10.75" / 27.3 cm | 10.75" / 27.3 cm | | | | X | | | |
| 3R5212-7B | 52.5" x 12.12" x 8" / 133.35 cm x 30.78 cm x 20.32 cm | 3.12" / 7.92 cm | 4.87" / 12.37 cm | X | | | | | | |
| 3R6218-10B | 62.62" x 18.25" x 10" / 159.05 cm x 46.36 cm x 25.4 cm | 3" / 7.62 cm | 7" / 17.78 cm | X | | | | | | |
| 3R6223-10B | 62.62" x 23.25 x 10" / 159.05 cm x 59.06 cm x 25.4 cm | 3" / 7.62 cm | 7" / 17.78 cm | X | | | | | | |
| 3R6416-8B | 64.75" x 16.5" x 8" / 164.47 cm x 41.91 cm x 20.32 cm | 2" / 5.08 cm | 6" / 15.24 cm | X | | | | | | |
| 3R6820-20B | 68" x 20" x 20" / 172.72 cm x 50.8 cm x 50.8 cm | 3.5" / 8.89 cm | 17" / 43.18 cm | X | | | | | | |
| 3R7408-8 | 74" x 8" x 8" / 187.96 cm x 20.32 cm x 20.32 cm | 2.5" / 6.35 cm | 5.5" / 13.97 cm | X | X | | | | | |
| 3R8608-8 | 86" x 8" x 8" / 218.44 cm x 20.32 cm x 20.32 cm | 1.9" / 4.83 cm | 6.1" / 15.49 cm | X | X | | | | | |

*These cases offered with or without edge wheels

Cases described above are in-stock items offered in black. Check skbcases.com for our complete lineup of case styles, sizes, customization options, and more to suit every project need.

ACCESSORIES

See page 14 for more information on available accessories

TSA Combination Padlocks (fits all R Series cases)

- 1SKB-PDL
- 1SKB-PDL-C

Edge Wheels

3R-WK12 See chart above for compatibility

Casters

3SKB-CAST1 See chart above for compatibility

Forklift Risers

3R-FLRK See chart above for compatibility

Shipping Label Plate

3SKB-SLP Fits all R Series cases

THERMOFORMED TRANSPORT CONTAINERS



Heavy-duty pull handle system

Durable quiet-glide wheel system

AVAILABLE SIZES

| Model # | Inside Dims (L x W x D) | Lid Depth | Base Depth | Weight Empty |
|--------------|---|-----------------|------------------|---------------------|
| 3SKB-1413MR | 14.5" x 13.125" x 7.625" / 36.8 cm x 33.3 cm x 19.4 cm | 2.125" / 5.4 cm | 5.5" / 14 cm | 8.6 lbs / 3.9 kg |
| *3SKB-1812MR | 18.375" x 12.125" x 7.75" / 46.7 cm x 30.8 cm x 19.7 cm | 2.625" / 6.7 cm | 5.125" / 13 cm | 11.1 lbs / 5 kg |
| 3SKB-1818MR | 18" x 18" x 13" / 45.7 cm x 45.7 cm x 33 cm | 5" / 12.7 cm | 8" / 20.3 cm | 13.4 lbs / 6.1 kg |
| *3SKB-1913MR | 19" x 13.375" x 8.625" / 48.3 cm x 34 cm x 21.9 cm | 3.25" / 8.3 cm | 5.375" / 13.7 cm | 11.2 lbs / 5.1 kg |
| 3SKB-1914MR | 19.375" x 14" x 10" / 49.2 cm x 35.6 cm x 25.4 cm | 4" / 10.2 cm | 6" / 15.2 cm | 11.85 lbs / 5.4 kg |
| 3SKB-1916MR | 19" x 16" x 10" / 48.3 cm x 40.6 cm x 25.4 cm | 4" / 10.2 cm | 6" / 15.2 cm | 12.75 lbs / 5.8 kg |
| *3SKB-2114MR | 21.375" x 14.25" x 8.875" / 54.3 cm x 36.2 cm x 22.5 cm | 3.5" / 8.9 cm | 5.375" / 13.7 cm | 12.25 lbs / 5.6 kg |
| 3SKB-2218PR | 22" x 18" x 8" / 55.9 cm x 45.7 cm x 20.3 cm | 3.5" / 8.9 cm | 4.5" / 11.4 cm | 13.4 lbs / 6.1 kg |
| 3SKB-2417MR | 24" x 17" x 14.5" / 61 cm x 43.2 cm x 36.8 cm | 5.25" / 13.3 cm | 9.25" / 23.5 cm | 18.15 lbs / 8.2 kg |
| 3SKB-2523MR | 25" x 23" x 14" / 63.5 cm x 58.4 cm x 35.6 cm | 6" / 15.2 cm | 8" / 20.3 cm | 22.1 lbs / 10 kg |
| 3SKB-2921MR | 29" x 21.5" x 17" / 73.7 cm x 54.6 cm x 43.2 cm | 8" / 20.3 cm | 9" / 22.9 cm | 22.1 lbs / 10 kg |
| 3SKB-3025MR | 30" x 25" x 15" / 76.2 cm x 63.5 cm x 38.1 cm | 7.5" / 19.1 cm | 7.5" / 19.1 cm | 25.35 lbs / 11.5 kg |
| 3SKB-3426MR | 34" x 26" x 18.75" / 86.4 cm x 66 cm x 47.6 cm | 7.75" / 19.7 cm | 11" / 27.9 cm | 29.8 lbs / 13.5 kg |
| 3SKB-3621MR | 36.5" x 21.5" x 18.25" / 92.7 cm x 54.6 cm x 46.4 cm | 7.25" / 18.4 cm | 11" / 27.9 cm | 24.9 lbs / 11.3 kg |

*Only cases with black hardware



FEATURES

- Case shells are molded of durable, impact resistant high density polyethylene
- Convenient retractable pull-handle
- Quiet, durable roller-blade style wheels
- Molded-in protective bumpers protect hardware
- Heavy-duty latch system
- Comfortable, spring loaded side handles

LOW PROFILE ATA TRANSPORT CASES WITH WHEELS



AVAILABLE SIZES

| Model # | Inside Dims (L x W x D) | Lid Depth | Base Depth | Weight Empty |
|-------------|---|------------------|------------------|---------------------|
| 3SKB-3429W | 34" x 29" x 8.375" / 86.4 cm x 73.7 cm x 21.3 cm | 3.38" / 8.57 cm | 5" / 12.7 cm | 34.45 lbs / 15.6 kg |
| *3SKB-4212W | 42" x 11.75" x 6" / 106.7 cm x 29.8 cm x 15.2 cm | 3" / 7.6 cm | 3" / 7.6 cm | 13.45 lbs / 6.1 kg |
| *3SKB-4316W | 43.5" x 16" x 6.5" / 110.5 cm x 40.6 cm x 16.5 cm | 3" / 7.6 cm | 3.5" / 8.9 cm | 14.4 lbs / 6.5 kg |
| *3SKB-5211W | 52" x 11.75" x 6" / 132.1 cm x 29.8 cm x 15.2 cm | 3" / 7.6 cm | 3" / 7.6 cm | 15.65 lbs / 7.1 kg |
| *3SKB-5216W | 52.25" x 16.5" x 6" / 132.7 cm x 41.9 cm x 15.2 cm | 3" / 7.6 cm | 3" / 7.6 cm | 21.35 lbs / 9.7 kg |
| 1SKB-R5220W | 51.88" x 17.88" x 7" / 131.8 cm x 45.4 cm x 17.8 cm | 2" / 5.08 cm | 5" / 12.7 cm | 28.3 lbs / 12.8 kg |
| *3SKB-6019W | 60.25" x 19.25" x 6" / 153 cm x 48.9 cm x 15.2 cm | 3" / 7.6 cm | 3" / 7.6 cm | 28.15 lbs / 12.8 kg |
| 1SKB-R6020W | 57.75" x 19.75" x 6" / 146.7 cm x 50.2 cm x 15.2 cm | 2" / 5.08 cm | 5.25" / 13.34 cm | 29.25 lbs / 13.3 kg |
| *3SKB-6022W | 60.25" x 22.25" x 6" / 153 cm x 56.5 cm x 15.2 cm | 3" / 7.6 cm | 3" / 7.6 cm | 30.6 lbs / 13.9 kg |
| *3SKB-6323W | 63" x 23" x 10.5" / 160 cm x 58.4 cm x 26.7 cm | 5.13" / 13.02 cm | 5.13" / 13.02 cm | 38.45 lbs / 17.4 kg |

*Comes standard with TSA latches

ACCESSORIES

See page 14 for more information on available accessories

TSA Locking Latches

3i-TSA-2 Fits 1SKB-R4215W, 1SKB-R5220W, 1SKB-6020W



FEATURES

- ATA rated
- Heavy-duty built-in wheels
- TSA trigger release latching system
- Bumper protection

TRIPOD CASES



AVAILABLE SIZES

| Model # | Inside Dims (L x W x D) | Lid Depth | Base Depth | Weight Empty |
|--------------|---|------------------|---------------|--------------------|
| 1SKB-R2411 | 24" x 11" x 11" / 60.96 cm x 27.9 cm x 27.9 cm | - | - | 10.4 lbs / 4.72 kg |
| 1SKB-R2907 | 29" x 7.5" x 7.5" / 73.66 cm x 19.05 cm x 19.05 cm | - | - | 7.6 lbs / 3.45 kg |
| 1SKB-R3411W | 34" x 11" x 11" / 86.36 cm x 27.9 cm x 27.9 cm | - | - | 15 lbs / 6.8 kg |
| *1SKB-H3611 | 36.75" x 12" x 8.25" / 93.3 cm x 30.5 cm x 20.96 cm | 4.13" / 10.48 cm | 4" / 10.16 cm | 12.15 lbs / 5.5 kg |
| 1SKB-R3709W | 37" x 9" x 9" / 94 cm x 22.9 cm x 22.9 cm | - | - | 12.5 lbs / 5.7 kg |
| 1SKB-R4111W | 41" x 11" x 11" / 104.14 cm x 27.9 cm x 27.9 cm | - | - | 17 lbs / 7.71 kg |
| 1SKB-R4209W | 42" x 9" x 9" / 106.7 cm x 22.9 cm x 22.9 cm | - | - | 14.4 lbs / 6.5 kg |
| 1SKB-R4611W | 46" x 11" x 11" / 116.84 cm x 27.9 cm x 27.9 cm | - | - | 16 lbs / 7.26 kg |
| *1SKB-H4812W | 48.125" x 11.25" x 11" / 122.2 cm x 28.6 cm x 27.9 cm | 5" / 12.7 cm | 6" / 15.24 cm | 15.3 lbs / 6.9 kg |
| *1SKB-H4816W | 48.25" x 16" x 12.375" / 122.6 cm x 40.6 cm x 31.4 cm | 6.33" / 16.07 cm | 6" / 15.24 cm | 21.56 lbs / 9.8 kg |
| *1SKB-H5020W | 49.75" x 20" x 13.75" / 126.4 cm x 50.8 cm x 34.9 cm | 6.75" / 17.15 cm | 7" / 17.78 cm | 23 lbs / 10.4 kg |
| 2SKB-R4916W | 50" x 16" x 12" / 127 cm x 40.6 cm x 30.5 cm | - | - | 16.35 lbs / 7.4 kg |
| 1SKB-R5011W | 50" x 11" x 11" / 127 cm x 27.9 cm x 27.9 cm | - | - | 16 lbs / 7.26 kg |
| 2SKB-R5017W | 50" x 17" x 13" / 127 cm x 43.18 cm x 33 cm | - | - | 18.95 lbs / 8.6 kg |

*These cases offered with internal straps

ACCESSORIES

See page 14 for more information on available accessories

TSA Locking Latches

3i-TSA-3 Fits 1SKB-H3611, 1SKB-H4812W, 1SKB-H4816W, 1SKB-H5020W



FEATURES

- Extremely durable
- ATA rated

MP SERIES



THERMOFORMED MILITARY STYLE SHIPPING CONTAINERS

| Model # | Inside Dims (L x W x D) | Lid Depth | Base Depth | Weight Empty |
|------------|---|----------------|------------------|---------------------|
| 3SKB-1212M | 12" x 12" x 8" / 30.5 cm x 30.5 cm x 20.3 cm | 3.75" / 9.5 cm | 4.25" / 10.8 cm | 6.55 lbs / 3 kg |
| 3SKB-1616M | 16" x 16" x 13" / 40.6 cm x 40.6 cm x 33 cm | 5" / 12.7 cm | 8" / 20.3 cm | 10.9 lbs / 4.9 kg |
| 3SKB-2218M | 22" x 18" x 9.625" / 55.9 cm x 45.7 cm x 24.4 cm | 5" / 12.7 cm | 4.625" / 11.7 cm | 13.9 lbs / 6.3 kg |
| 3SKB-2825M | 27.75" x 25.75" x 18" / 70.5 cm x 65.4 cm x 45.7 cm | 9" / 22.9 cm | 9" / 22.9 cm | 21.05 lbs / 9.5 kg |
| 3SKB-3018M | 30.25" x 19.25" x 17.5" / 76.8 cm x 48.9 cm x 44.5 cm | 9" / 22.9 cm | 9" / 22.9 cm | 22.65 lbs / 10.3 kg |

ACCESSORIES

See page 14 for more information on available accessories

TSA Combination Padlocks (fits all MP Series cases)

1SKB-PDL

1SKB-PDL-C



FEATURES

- Gasketed, heavy-duty "L" valance ensures secure close
- Resistant to UV, solvents, corrosion, fungus and impact damage
- Molded-in protective bumpers
- Heavy-duty twist latch system
- Comfortable, spring loaded side handles
- Cases stack securely and accommodate padlocks

LS SERIES

THERMOFORMED LUGGAGE STYLE CARRYING CASES

| Model # | Inside Dims (L x W x D) | Lid Depth | Base Depth | Weight Empty |
|-------------|--|-----------------|----------------|--------------------|
| 9P1108-01BE | 11.25" x 8.375" x 5" / 28.6 cm x 21.3 cm x 12.7 cm | 2" / 5.1 cm | 3" / 7.6 cm | 3.1 lbs / 1.4 kg |
| 9P1410-01BE | 14.375" x 10.375" x 6" / 36.5 cm x 26.4 cm x 15.2 cm | 2.5" / 6.4 cm | 3.5" / 8.9 cm | 4.25 lbs / 1.9 kg |
| 9P1410-02BE | 14.375" x 10.375" x 12" / 36.5 cm x 26.4 cm x 30.5 cm | 3" / 7.6 cm | 9" / 22.9 cm | 5.65 lbs / 2.6 kg |
| 9P1712-01BE | 17.375" x 13.375" x 4.5" / 44.1 cm x 34 cm x 11.4 cm | 2" / 5.1 cm | 2.5" / 6.4 cm | 5 lbs / 2.3 kg |
| 9P1712-02BE | 17.375" x 12.375" x 6" / 44.1 cm x 31.4325 cm x 15.24 cm | 2.5" / 6.4 cm | 3.5" / 8.9 cm | 5.35 lbs / 2.4 kg |
| 9P1912-01BE | 19" x 12.25" x 5.5" / 48.3 cm x 31.1 cm x 14 cm | 2.38" / 6 cm | 3.13" / 7.9 cm | 6 lbs / 2.7 kg |
| 9P2012-01BE | 20.375" x 13.375" x 6.5" / 51.8 cm x 34 cm x 16.5 cm | 2.75" / 7 cm | 3.75" / 9.5 cm | 6.7 lbs / 3 kg |
| 9P2014-01BE | 20.375" x 14" x 7" / 51.8 cm x 35.6 cm x 17.8 cm | 3" / 7.6 cm | 4" / 10.2 cm | 7.2 lbs / 3.3 kg |
| 9P2016-01BE | 20.375" x 16.375" x 7.2" / 51.8 cm x 41.6 cm x 18.3 cm | 3" / 7.6 cm | 4.5" / 11.4 cm | 8.25 lbs / 3.7 kg |
| 9P2218-01BE | 22" x 18" x 8" / 55.9 cm x 45.7 cm x 20.3 cm | 3.5" / 8.9 cm | 4.5" / 11.4 cm | 9 lbs / 4.1 kg |
| 9P2517-01BE | 25.375" x 17.375" x 9" / 64.5 cm x 44.1 cm x 22.9 cm | 4.25" / 10.8 cm | 4.75" / 12 cm | 10.6 lbs / 4.8 kg |
| 9P2520-01BE | 25.625" x 20.75" x 9" / 65.1 cm x 52.7 cm x 22.9 cm | 4.25" / 10.8 cm | 4.75" / 12 cm | 12.65 lbs / 5.7 kg |

Many custom sizes and configurations available. Contact us for more information.



FEATURES

- Lightweight and durable
- Locking latches
- Resistant to oils, fuels, solvents and acids
- Can withstand temperatures from -80° F to 185° F
- Provides maximum impact strength
- Many custom sizes and configurations available! Contact us for more information.

ROTATIONALLY MOLDED FLAT SCREEN CASES



3SKB-3237

3SKB-2026

3SKB-5260
Forklift ready slots



AVAILABLE SIZES

| Model # | Inside Dims (L x W x H) | Weight Empty |
|-----------|---|---------------------|
| 3SKB-2026 | 30" x 9" x 27.18" / 76.2 cm x 22.86 cm x 69.04 cm | 36.85 lbs / 16.7 kg |
| 3SKB-3237 | 36.73" x 9.13" x 31.2" / 93.3 cm x 23.19 cm x 79.25 cm | 41.5 lbs / 18.8 kg |
| 3SKB-4250 | 49.5" x 9.71" x 34.2" / 125.73 cm x 24.66 cm x 86.87 cm | 60 lbs / 27.2 kg |
| 3SKB-5260 | 60.46" x 12.21" x 45.23" / 153.57 cm x 31.01 cm x 114.88 cm | 129.1 lbs / 58.6 kg |

ACCESSORIES

See page 14 for more information on available accessories

TSA Combination Padlocks (fits all Flat Screen cases)

- 1SKB-PDL
- 1SKB-PDL-C

FEATURES

- Rotationally molded of LLDPE Polyethylene for strength and durability
- Holds 32" to 37" LCD screens in desirable upright position
- Universal foam padding system for easy configuration
- Corner wheels for tilting and easy transport
- One cushioned rubber over-molded tow handle
- Two cushioned rubber over-molded lifting handles one each side
- Weather resistant gasketed tongue and groove valance for moisture protection
- Heavy duty twist latches with one padlockable latch on each side
- Can be shipped standard UPS or FedEx

iSeries

R Series

LP Series

MP Series

Flat Screen Cases

Exceptions and conditions may apply.
Check each case series page for more information.

1SKB-PDL
TSA Combination Padlock
2pk of TSA fixed-shackle padlocks

1SKB-PDL-C
TSA Cable Combination Padlock
2pk of TSA cable-shackle padlocks



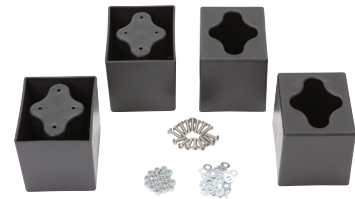
3i-TSA-1, 3i-TSA-2, 3i-TSA-3
Locking Latch Kit
Replace standard trigger latches with TSA locking trigger latches (includes 2 TSA latches, hardware, and keys)



3i-HD73, 3i-HD80, 3i-HD81
iSeries Replacement Colored Handles
Colored handles help differentiate between black cases; available in (BE) Blue, (RD) Red, (GN) Green, and (YW) Yellow



3R-FLRK
Forklift Riser Kit
Risers bolt onto all 3R cases without standard edge wheels and provide 4" clearance for forklift or pallet jack



3i-HD90-PHK
iSeries Replacement Pull Handle
Easy-to-use one finger push button release handle replaces standard iSeries pull out handles



3R-WK12
R Series Edge Wheel Kit
Two assembled wheels and hardware to convert any R Series case sold standard without wheels



iSeries Lid Organizer
Attaches to case lid interior with velcro-type tape and provides organization of cables, tools, etc.
Check skbcases.com or contact your local sales representative for details



3SKB-CAST1
3R Series Caster Kit
Caster plate and wheel kit for 3R cases not equipped with a built-in pull handle or wheels



3i-PMCK
iSeries Panel Mount Clip Kit
Secure your choice of mounting panel onto any 3i Series case for a convenient and finished appearance



3SKB-SLP
Shipping Label Plate
12" x 7" aluminum label and installation kit for mounting of secure labelling



| Model # | Inside Dims (L x W x H) | Outside Dims (L x W x H) | Weight Empty | Standard With Wheels | Opt. Wheels/Caster Kit |
|--------------------|--|---|---------------------|----------------------|------------------------|
| 3i-0705-3 | 7.5" x 5" x 3.25" / 19.05 cm x 12.7 cm x 8.26 cm | 8.36" x 6.7" x 3.83" / 21.23 cm x 17.02 cm x 9.73 cm | 1.17 lbs / 0.53 kg | N | N |
| 3i-0702-1 | 7.76" x 2.15" x 1.3" / 19.71 cm x 5.46 cm x 3.3 cm | 8.63" x 3.14" x 1.56" / 21.92 cm x 7.98 cm x 3.96 cm | 0.34 lbs / 0.15 kg | N | N |
| 3i-0806-3 | 8.5" x 6" x 3.75" / 21.59 cm x 15.24 cm x 9.53 cm | 9.41" x 7.82" x 4.35" / 23.9 cm x 19.86 cm x 11.05 cm | 1.65 lbs / 0.75 kg | N | N |
| 3i-0907-6 | 9.38" x 7.38" x 6.13" / 23.83 cm x 18.75 cm x 15.57 cm | 10.68" x 9.69" x 6.82" / 27.13 cm x 24.61 cm x 17.32 cm | 2.75 lbs / 1.25 kg | N | N |
| 3i-0907-4 | 9.5" x 7.38" x 4.13" / 24.13 cm x 18.75 cm x 10.49 cm | 10.73" x 9.69" x 4.8" / 27.25 cm x 24.61 cm x 12.19 cm | 2.4 lbs / 1.09 kg | N | N |
| 3i-1006-3 | 10.75" x 6.13" x 3.25" / 27.31 cm x 15.57 cm x 8.26 cm | 11.72" x 8" x 3.86" / 29.77 cm x 20.32 cm x 9.8 cm | 1.97 lbs / 0.89 kg | N | N |
| 9P1108-01BE | 11.25" x 8.38" x 5" / 28.58 cm x 21.27 cm x 12.7 cm | 12.06" x 9.88" x 5.75" / 30.64 cm x 25.08 cm x 14.61 cm | 3.1 lbs / 1.41 kg | N | N |
| 3i-1209-4 | 12" x 9" x 4.5" / 30.48 cm x 22.86 cm x 11.43 cm | 13.18" x 11.12" x 5.21" / 33.48 cm x 28.24 cm x 13.23 cm | 3.2 lbs / 1.45 kg | N | N |
| 3R1209-26B | 12" x 9" x 26.75" / 30.48 cm x 22.86 cm x 67.95 cm | 14.6" x 13.3" x 29" / 37.08 cm x 33.78 cm x 73.66 cm | TBA | Y | N |
| 3SKB-1212M | 12" x 12" x 8" / 30.48 cm x 30.48 cm x 20.32 cm | 14.75" x 14.63" x 9.5" / 37.47 cm x 37.15 cm x 24.13 cm | 6.55 lbs / 2.97 kg | N | N |
| 3i-1309-6 | 13.5" x 9.5" x 6.5" / 34.29 cm x 24.13 cm x 16.51 cm | 14.73" x 11.94" x 7.31" / 37.41 cm x 30.33 cm x 18.57 cm | 4.6 lbs / 2.09 kg | N | N |
| 9P1410-01BE | 14.38" x 10.38" x 6" / 36.51 cm x 26.35 cm x 15.24 cm | 16.81" x 12.13" x 6.88" / 42.7 cm x 30.8 cm x 17.46 cm | 4.25 lbs / 1.93 kg | N | N |
| 9P1410-02BE | 14.38" x 10.38" x 12" / 36.51 cm x 26.35 cm x 30.48 cm | 15.13" x 14.13" x 11.75" / 38.42 cm x 35.88 cm x 29.85 cm | 5.65 lbs / 2.56 kg | N | N |
| 3SKB-1413MR | 14.5" x 13.13" x 7.63" / 36.83 cm x 33.34 cm x 19.37 cm | 16.06" x 9" x 13.88" / 40.8 cm x 22.86 cm x 35.24 cm | 8.6 lbs / 3.9 kg | Y | N |
| 3i-1510-4 | 15" x 10.5" x 4.5" / 38.1 cm x 26.67 cm x 11.4 cm | 16.25" x 13" x 5.3" / 41.28 cm x 33 cm x 13.46 cm | 4.75 lbs / 2.15 kg | N | N |
| 3i-1510-6 | 15" x 10.5" x 6" / 38.1 cm x 26.67 cm x 15.24 cm | 16.24" x 12.94" x 6.78" / 41.25 cm x 32.87 cm x 17.22 cm | 5.2 lbs / 2.36 kg | N | N |
| 3i-1510-9 | 15" x 10.5" x 9" / 38.1 cm x 26.67 cm x 22.86 cm | 16.25" x 13" x 9.8" / 41.28 cm x 33 cm x 24.89 cm | 6.15 lbs / 2.79 kg | N | N |
| 3i-1610-5 | 16" x 10" x 5.5" / 40.64 cm x 25.4 cm x 13.97 cm | 17.17" x 12.17" x 6.21" / 43.61 cm x 30.91 cm x 15.77 cm | 4.95 lbs / 2.25 kg | N | N |
| 3i-1610-10 | 16" x 10" x 10" / 40.64 cm x 25.4 cm x 25.4 cm | 17.36" x 12.54" x 11.68" / 44.09 cm x 31.85 cm x 29.67 cm | 8 lbs / 3.63 kg | N | N |
| 3SKB-1616M | 16" x 16" x 13" / 40.64 cm x 40.64 cm x 33.02 cm | 19.56" x 19.56" x 14.63" / 49.69 cm x 49.69 cm x 37.15 cm | 10.9 lbs / 4.94 kg | N | N |
| 3i-1706-6 | 17" x 6.5" x 6.5" / 43.18 cm x 16.51 cm x 16.51 cm | 18.2" x 8.98" x 7.3" / 46.22 cm x 22.8 cm x 18.54 cm | 4.7 lbs / 2.13 kg | N | N |
| 3i-1711-6 | 17" x 11.5" x 6" / 43.18 cm x 29.21 cm x 15.24 cm | 18.25" x 13.79" x 6.81" / 46.36 cm x 35.03 cm x 17.3 cm | 6.1 lbs / 2.77 kg | N | N |
| 9P1712-01BE | 17.38" x 13.38" x 4.5" / 44.13 cm x 33.97 cm x 11.43 cm | 18.13" x 14.13" x 5.25" / 46.04 cm x 35.88 cm x 13.34 cm | 5 lbs / 2.27 kg | N | N |
| 3i-1717-10 | 17" x 17" x 10" / 43.18 cm x 43.18 cm x 25.4 cm | 19.5" x 19.7" x 10.9" / 49.53 cm x 50.04 cm x 27.69 cm | 10.9 lbs / 4.94 kg | N | N |
| 3i-1717-16 | 17" x 17" x 16" / 43.18 cm x 43.18 cm x 40.64 cm | 19.62" x 19.46" x 16.86" / 49.83 cm x 49.43 cm x 42.82 cm | 13.8 lbs / 6.26 kg | N | N |
| 3SKB-1818MR | 18" x 18" x 13" / 45.72 cm x 45.72 cm x 33.02 cm | 20.38" x 20.88" x 14.75" / 51.75 cm x 53.02 cm x 37.47 cm | 13.4 lbs / 6.08 kg | Y | N |
| 3SKB-1812MR | 18.38" x 12.13" x 7.63" / 46.67 cm x 30.8 cm x 19.37 cm | 20.5" x 13.88" x 9.13" / 52.07 cm x 35.24 cm x 23.18 cm | 11.1 lbs / 5.03 kg | Y | N |
| 3i-1813-5 | 18.5" x 13" x 4.75" / 46.99 cm x 33.02 cm x 12.07 cm | 19.68" x 15.18" x 5.46" / 49.99 cm x 38.56 cm x 13.87 cm | 5.9 lbs / 2.68 kg | N | N |
| 3i-1813-7 | 18.5" x 13" x 7" / 46.99 cm x 33.02 cm x 17.78 cm | 19.82" x 15.5" x 7.88" / 50.34 cm x 39.37 cm x 20.02 cm | 7.8 lbs / 3.54 kg | N | N |
| 3i-1914-8 | 19" x 14.38" x 8" / 48.26 cm x 36.53 cm x 20.32 cm | 21.26" x 16.75" x 9.83" / 54 cm x 42.55 cm x 24.97 cm | 12.85 lbs / 5.83 kg | Y | N |
| 3i-1914N-8 | 19" x 14.5" x 8" / 48.26 cm x 36.83 cm x 20.32 cm | 20.25" x 16.93" x 8.78" / 51.44 cm x 43 cm x 22.3 cm | 8 lbs / 3.63 kg | N | N |
| 3R1919-14 | 19" x 19" x 14.5" / 48.26 cm x 48.26 cm x 36.83 cm | 22.5" x 22.63" x 17" / 57.15 cm x 57.47 cm x 43.18 cm | 19.3 lbs / 8.75 kg | Y | N |
| 3SKB-1913MR | 19" x 13.38" x 8.63" / 48.26 cm x 33.97 cm x 21.91 cm | 20.75" x 15.13" x 10" / 52.71 cm x 38.42 cm x 25.4 cm | 11.2 lbs / 5.08 kg | Y | N |
| 3SKB-1916MR | 19" x 16" x 10" / 48.26 cm x 40.64 cm x 25.4 cm | 21.5" x 18.13" x 12" / 54.61 cm x 46.04 cm x 30.48 cm | 12.75 lbs / 5.78 kg | Y | N |
| 9P1912-01BE | 19" x 12.25" x 5.5" / 48.26 cm x 31.12 cm x 13.97 cm | 14.13" x 9.88" x 6.5" / 35.88 cm x 25.08 cm x 16.51 cm | 6 lbs / 2.72 kg | N | N |
| 3SKB-1914MR | 19.38" x 14" x 10" / 49.21 cm x 35.56 cm x 25.4 cm | 21.63" x 16.38" x 11.5" / 54.93 cm x 41.59 cm x 29.21 cm | 11.85 lbs / 5.38 kg | Y | N |
| 9P2012-01BE | 20.38" x 13.38" x 6.5" / 51.75 cm x 33.97 cm x 16.51 cm | 21.38" x 15.63" x 7.38" / 54.29 cm x 39.69 cm x 18.73 cm | 6.7 lbs / 3.04 kg | N | N |
| 9P2014-01BE | 20.38" x 14" x 7" / 51.75 cm x 35.56 cm x 17.78 cm | 21.13" x 15.75" x 7.68" / 53.66 cm x 40.01 cm x 19.5 cm | 7.2 lbs / 3.27 kg | N | N |
| 9P2016-01BE | 20.38" x 16.38" x 7.2" / 51.75 cm x 41.59 cm x 18.29 cm | 21.25" x 18.13" x 8.25" / 53.98 cm x 46.04 cm x 20.96 cm | 8.25 lbs / 3.74 kg | N | N |
| 3i-2011-7 | 20.38" x 11.44" x 7.5" / 51.77 cm x 29.06 cm x 19.05 cm | 21.89" x 13.96" x 9" / 55.6 cm x 35.46 cm x 22.86 cm | 10.5 lbs / 4.76 kg | Y | N |
| 3i-2011-8 | 20.38" x 11.44" x 8.25" / 51.77 cm x 29.06 cm x 20.96 cm | 21.93" x 13.98" x 9" / 55.7 cm x 35.51 cm x 22.86 cm | 7.85 lbs / 3.56 kg | N | N |
| 3i-2015-10 | 20.5" x 15.5" x 10" / 52.07 cm x 39.37 cm x 25.4 cm | 22.92" x 17.98" x 11.55" / 58.22 cm x 45.67 cm x 29.34 cm | 13.2 lbs / 5.99 kg | Y | N |

| Model # | Inside Dims (L x W x H) | Outside Dims (L x W x H) | Weight Empty | Standard With Wheels | Opt. Wheels/ Caster Kit |
|-------------|---|---|----------------------|----------------------|-------------------------|
| 3i-2015-7 | 20.5" x 15.5" x 7.5" / 52.07 cm x 39.37 cm x 19.05 cm | 22.27" x 17.98" x 8.32" / 56.57 cm x 45.67 cm x 21.13 cm | 8.9 lbs / 4.04 kg | Y | N |
| 3SKB-2114MR | 21.38" x 14.25" x 8.88" / 54.29 cm x 36.2 cm x 22.54 cm | 23.25" x 16.13" x 10.25" / 59.06 cm x 40.96 cm x 26.04 cm | 12.25 lbs / 5.56 kg | Y | N |
| 3i-2213-12 | 22" x 13" x 12" / 55.88 cm x 33.02 cm x 30.48 cm | 24.18" x 15.52" x 13.65" / 61.42 cm x 39.42 cm x 34.67 cm | 16.4 lbs / 7.44 kg | Y | N |
| 3i-2215-8 | 22" x 15.5" x 8" / 55.88 cm x 39.3 cm x 20cm | 24.5" x 18.25" x 9.75" / 62.33 cm x 46.36 cm x 24.77 cm | 16.02 lbs / 7.27 kg | Y | N |
| 3i-2217-10 | 22" x 17" x 10.5" / 55.88 cm x 43.18 cm x 26.67 cm | 24.5" x 19.37" x 12.22" / 62.23 cm x 49.2 cm x 31.04 cm | 16.85 lbs / 7.64 kg | Y | N |
| 3i-2217-12 | 22" x 17" x 12.75" / 55.88 cm x 43.18 cm x 32.39 cm | 24.34" x 19.47" x 14.38" / 61.82 cm x 49.45 cm x 36.53 cm | 18.15 lbs / 8.23 kg | Y | N |
| 3i-2217-8 | 22" x 17" x 8" / 55.88 cm x 43.18 cm x 20.32 cm | 24.32" x 19.5" x 8.86" / 61.77 cm x 49.53 cm x 22.5 cm | 10.95 lbs / 4.97 kg | N | N |
| 3R2217-10 | 22" x 17.5" x 10.5" / 55.88 cm x 44.45 cm x 26.67 cm | 25.5" x 20.5" x 12" / 64.77 cm x 52.07 cm x 30.48 cm | 20.05 lbs / 9.09 kg | Y | N |
| 3R2222-12 | 22" x 22" x 12" / 55.88 cm x 55.88 cm x 30.48 cm | 25.45" x 25.4" x 13.61" / 64.64 cm x 64.52 cm x 34.57 cm | 24.45 lbs / 11.09 kg | Y | N |
| 3R2222-20 | 22" x 22" x 20" / 55.88 cm x 55.88 cm x 50.8 cm | 25.5" x 25.5" x 23.01" / 64.77 cm x 64.77 cm x 58.45 cm | 27.7 lbs / 12.56 kg | N | Y |
| 3SKB-2218MR | 22" x 18" x 8" / 55.88 cm x 45.72 cm x 20.32 cm | 23.25" x 19.5" x 9.75" / 59.06 cm x 49.53 cm x 24.77 cm | 13.4 lbs / 6.08 kg | Y | N |
| 9P2218-01BE | 22" x 18" x 8" / 55.88 cm x 45.72 cm x 20.32 cm | 22.88" x 19.5" x 8.75" / 58.1 cm x 49.53 cm x 22.23 cm | 9 lbs / 4.08 kg | N | N |
| 3SKB-2218M | 22" x 18" x 9.63" / 55.88 cm x 45.72 cm x 24.45 cm | 25" x 21" x 12.2" / 63.5 cm x 53.34 cm x 30.99 cm | 13.9 lbs / 6.3 kg | N | N |
| 3R2216-15 | 22.12" x 16.12" x 15.29" / 56.18 cm x 40.94 cm x 38.84 cm | 24.97" x 18.97" x 16.73" / 63.42 cm x 48.18 cm x 42.49 cm | 17.6 lbs / 7.98 kg | N | N |
| 3i-2222-12 | 22.5" x 22.5" x 12.5" / 57.15 cm x 57.15 cm x 31.75 cm | 24.81" x 24.98" x 14.15" / 63.02 cm x 63.45 cm x 35.94 cm | 20.6 lbs / 9.34 kg | Y | N |
| 3i-2317-14 | 23" x 17" x 14" / 58.42 cm x 43.18 cm x 35.56 cm | 25.63" x 19.5" x 15.63" / 65.09 cm x 49.53 cm x 39.69 cm | 20.7 lbs / 9.39 kg | Y | N |
| 1SKB-R2411 | 24" x 11" x 11" / 60.96 cm x 27.9 cm x 27.9 cm | 27.25" x 12.75" x 14" / 69.22 cm x 32.39 cm x 35.56 cm | 10.4 lbs / 4.72 kg | N | N |
| 3i-2424-14 | 24" x 24" x 14" / 60.96 cm x 60.96 cm x 35.56 cm | 26.5" x 26.54" x 15.65" / 67.31 cm x 67.41 cm x 39.75 cm | 24.5 lbs / 11.11 kg | Y | N |
| 3R2423-17 | 24" x 23" x 17" / 60.96 cm x 58.42 cm x 43.18 cm | 27.75" x 26.58" x 18.74" / 70.49 cm x 67.51 cm x 47.6 cm | 32.35 lbs / 14.67 kg | Y | N |
| 3R2424-24 | 24" x 24" x 24" / 60.96 cm x 60.96 cm x 60.96 cm | 27.87" x 27.87" x 26.61" / 70.79 cm x 70.79 cm x 67.59 cm | 35.1 lbs / 15.92 kg | N | Y |
| 3SKB-2417MR | 24" x 17" x 14.5" / 60.96 cm x 43.18 cm x 36.83 cm | 26.63" x 19.5" x 17.25" / 67.63 cm x 49.53 cm x 43.82 cm | 18.15 lbs / 8.23 kg | Y | N |
| 3i-2421-7 | 24.12" x 21" x 7" / 61.26 cm x 53.34 cm x 17.78 cm | 26.21" x 23.52" x 8.65" / 66.57 cm x 59.74 cm x 21.97 cm | 18.4 lbs / 8.35 kg | Y | N |
| 3SKB-2523MR | 25" x 23" x 14" / 63.5 cm x 58.42 cm x 35.56 cm | 27.75" x 25.75" x 16" / 70.49 cm x 65.41 cm x 40.64 cm | 22.1 lbs / 10.02 kg | Y | N |
| 9P2517-01BE | 25.38" x 17.38" x 9" / 64.45 cm x 44.13 cm x 22.86 cm | 26" x 19" x 9.75" / 66.04 cm x 48.26 cm x 24.77 cm | 10.6 lbs / 4.81 kg | N | N |
| 9P2520-01BE | 25.63" x 20.75" x 9" / 65.09 cm x 52.71 cm x 22.86 cm | 26.38" x 22.5" x 10.81" / 66.99 cm x 57.15 cm x 27.46 cm | 12.65 lbs / 5.74 kg | N | N |
| 3i-2617-12 | 26.08" x 17.5" x 12" / 66.24 cm x 44.45 cm x 30.48 cm | 28.6" x 20" x 13.65" / 72.64 cm x 50.8 cm x 34.67 cm | 20.8 lbs / 9.43 kg | Y | N |
| 3R2727-18 | 27" x 27" x 18" / 68.58 cm x 68.58 cm x 45.72 cm | 31" x 30.75" x 20.53" / 78.74 cm x 78.11 cm x 52.15 cm | 37.6 lbs / 17.06 kg | N | Y |
| 3R2727-27 | 27" x 27" x 27" / 68.58 cm x 68.58 cm x 68.58 cm | 31" x 30.75" x 29.53" / 78.74 cm x 78.11 cm x 75.01 cm | 46.2 lbs / 20.96 kg | N | Y |
| 3SKB-2825M | 27.75" x 25.75" x 18" / 70.49 cm x 65.41 cm x 45.72 cm | 31" x 27.88" x 19.88" / 78.74 cm x 70.8 cm x 50.48 cm | 21.05 lbs / 9.55 kg | N | N |
| 3R2817-10 | 28.75" x 17.5" x 10.63" / 73.03 cm x 44.45 cm x 26.99 cm | 31.7" x 21.24" x 12.14" / 80.52 cm x 53.95 cm x 30.84 cm | 22.6 lbs / 10.25 kg | Y | N |
| 1SKB-R2907 | 29" x 7.5" x 7.5" / 73.66 cm x 19.05 cm x 19.05 cm | 32.25" x 10.5" x 9.25" / 81.92 cm x 26.67 cm x 23.5 cm | 7.6 lbs / 3.45 kg | N | N |
| 3i-2918-10 | 29" x 18" x 10.85" / 73.66 cm x 45.72 cm x 27.56 cm | 31.52" x 20.83" x 12.5" / 80.06 cm x 52.91 cm x 31.75 cm | 21.6 lbs / 9.8 kg | Y | N |
| 3i-2918-14 | 29" x 18" x 14" / 73.66 cm x 45.72 cm x 35.56 cm | 31.52" x 20.53" x 15.7" / 80.06 cm x 52.15 cm x 39.88 cm | 23.2 lbs / 10.52 kg | Y | N |
| 3i-2922-10 | 29" x 22" x 10" / 73.66 cm x 55.88 cm x 25.4 cm | 31.75" x 24.6" x 12.18" / 80.65 cm x 62.48 cm x 30.94 cm | 26.81 lbs / 12.16 kg | Y | N |
| 3i-2922-16 | 29" x 22" x 16" / 73.66 cm x 55.88 cm x 40.64 cm | 31.94" x 24.54" x 16.87" / 81.13 cm x 62.33 cm x 42.85 cm | 28 lbs / 12.7 kg | Y | N |
| 3SKB-2921MR | 29" x 21.5" x 17" / 73.66 cm x 54.61 cm x 43.18 cm | 31" x 23.19" x 19.06" / 78.74 cm x 58.9 cm x 48.42 cm | 22.1 lbs / 10.02 kg | Y | N |
| 3i-3016-10 | 30" x 16" x 10" / 76.2 cm x 40.64 cm x 25.4 cm | 32.4" x 18.5" x 10.85" / 82.3 cm x 46.99 cm x 27.56 cm | 18 lbs / 8.16 kg | Y | N |
| 3i-3021-18 | 30" x 21" x 18" / 76.2 cm x 53.34 cm x 45.72 cm | 32.94" x 23.53" x 18.87" / 83.67 cm x 59.77 cm x 47.93 cm | 28.8 lbs / 13.06 kg | Y | N |
| 3R3025-15 | 30" x 25" x 15" / 76.2 cm x 63.5 cm x 38.1 cm | 33.66" x 28.75" x 16.75" / 85.5 cm x 73.03 cm x 42.55 cm | 39.9 lbs / 18.1 kg | Y | N |
| 3SKB-3025MR | 30" x 25" x 15" / 76.2 cm x 63.5 cm x 38.1 cm | 32.38" x 27.38" x 17.13" / 82.23 cm x 69.53 cm x 43.5 cm | 25.35 lbs / 11.5 kg | Y | N |
| 3SKB-2026 | 30" x 9" x 20" / 76.2 cm x 22.86 cm x 50.8 cm | 34.5" x 13" x 30" / 87.63 cm x 33.02 cm x 76.2 cm | 36.85 lbs / 16.71 kg | Y | N |
| 3SKB-3018M | 30.25" x 19.25" x 17.5" / 76.84 cm x 48.9 cm x 44.45 cm | 34" x 22.63" x 19.2" / 86.36 cm x 57.47 cm x 48.77 cm | 22.65 lbs / 10.27 kg | N | N |

| Model # | Inside Dims (L x W x H) | Outside Dims (L x W x H) | Weight Empty | Standard With Wheels | Opt. Wheels/Caster Kit |
|--------------|--|---|----------------------|----------------------|------------------------|
| 3i-3019-12 | 30.5" x 19.5" x 12" / 77.47 cm x 49.53 cm x 30.48 cm | 33.42" x 22.04" x 12.87" / 84.89 cm x 55.98 cm x 32.69 cm | 23.55 lbs / 10.68 kg | Y | N |
| 3i-3026-15 | 30.75" x 26" x 15.5" / 78.11 cm x 66.04 cm x 39.37 cm | 33.71" x 28.53" x 16.37" / 85.62 cm x 72.47 cm x 41.58 cm | 31.55 lbs / 14.31 kg | Y | N |
| 3R3214-15 | 32" x 14.5" x 15.75" / 81.28 cm x 36.83 cm x 40.01 cm | 35.23" x 17.6" x 17.87" / 89.48 cm x 44.7 cm x 45.39 cm | 29.5 lbs / 13.38 kg | Y | N |
| 3R3221-7B | 32" x 21" x 7" / 81.28 cm x 53.34 cm x 17.78 cm | 35" x 24" x 9.28" / 88.9 cm x 60.96 cm x 23.57 cm | 26.6 lbs / 12.07 kg | Y | N |
| 1SKB-DH3315W | 32" x 13.75" x 11" / 81.28 cm x 34.93 cm x 27.94 cm | 35.5" x 16.75" x 14.5" / 90.17 cm x 42.55 cm x 36.83 cm | 22.06 lbs / 10 kg | Y | N |
| 1SKB-R3411W | 34" x 11" x 11" / 86.36 cm x 27.9 cm x 27.9 cm | 38.25" x 12.75" x 14" / 97.16 cm x 32.39 cm x 35.56 cm | 15 lbs / 6.8 kg | Y | N |
| 3SKB-3426MR | 34" x 26" x 18.75" / 86.36 cm x 66.04 cm x 47.63 cm | 38.25" x 28" x 21.13" / 97.16 cm x 71.12 cm x 53.66 cm | 29.8 lbs / 13.52 kg | Y | N |
| 3SKB-3429W | 34" x 29" x 8.38" / 86.36 cm x 73.66 cm x 21.27 cm | 37.5" x 32.5" x 10.25" / 95.25 cm x 82.55 cm x 26.04 cm | 34.45 lbs / 15.63 kg | Y | N |
| 3i-3424-12 | 34.5" x 24.5" x 12.75" / 87.63 cm x 62.23 cm x 32.39 cm | 37.44" x 27.04" x 13.62" / 95.1 cm x 68.68 cm x 34.59 cm | 30.4 lbs / 13.79 kg | Y | N |
| 3R3517-14 | 35.75" x 17.13" x 14.5" / 90.81 cm x 43.5 cm x 36.83 cm | 37.5" x 20.25" x 15.9" / 95.25 cm x 51.44 cm x 40.39 cm | 27.2 lbs / 12.34 kg | N | N |
| 3i-3613-12 | 36.5" x 13.5" x 12" / 91.44 cm x 34.2 cm x 30.5 cm | 38.67" x 16.05" x 10.47" / 98.22 cm x 40.77 cm x 26.59 cm | TBA | Y | N |
| 3i-3614-6 | 36.5" x 14.5" x 6" / 92.71 cm x 36.83 cm x 15.24 cm | 39.04" x 16.81" x 6.84" / 99.16 cm x 42.7 cm x 17.37 cm | 15.2 lbs / 6.89 kg | Y | N |
| 3SKB-3621MR | 36.5" x 21.5" x 18.25" / 92.71 cm x 54.61 cm x 46.36 cm | 38.25" x 23.75" x 21.13" / 97.16 cm x 60.33 cm x 53.66 cm | 24.9 lbs / 11.29 kg | Y | N |
| 1SKB-H3611 | 36.75" x 12" x 8.25" / 93.35 cm x 30.48 cm x 20.96 cm | 38.38" x 13.69" x 9.5" / 97.47 cm x 34.77 cm x 24.13 cm | 12.15 lbs / 5.51 kg | Y | N |
| 1SKB-R3709W | 37" x 9" x 9" / 93.98 cm x 22.86 cm x 22.86 cm | 40.25" x 12.5" x 11" / 102.24 cm x 31.75 cm x 27.94 cm | 12.5 lbs / 5.67 kg | Y | N |
| 3SKB-3237 | 38.5" x 9" x 32" / 97.79 cm x 22.86 cm x 81.28 cm | 42" x 13" x 34.5" / 106.68 cm x 33.02 cm x 87.63 cm | 41.5 lbs / 18.82 kg | Y | N |
| 3i-3913-12 | 39.3" x 13.57" x 12.67" / 99.82 cm x 34.47 cm x 32.18 cm | 42" x 16" x 14" / 106.68 cm x 40.64 cm x 35.56 cm | TBA | Y | N |
| 3R4024-18 | 40" x 24" x 18" / 101.6 cm x 60.96 cm x 45.72 cm | 43.75" x 28" x 20.5" / 111.13 cm x 71.12 cm x 52.07 cm | 51.5 lbs / 23.36 kg | N | Y |
| 3R4024-24 | 40" x 24" x 24" / 101.6 cm x 60.96 cm x 60.96 cm | 43.65" x 27.9" x 26.25" / 110.87 cm x 70.87 cm x 66.68 cm | 56.25 lbs / 25.51 kg | N | Y |
| 1SKB-R4111W | 41" x 11" x 11" / 104.14 cm x 27.9 cm x 27.9 cm | 45.25" x 12.75" x 14" / 114.94 cm x 32.39 cm x 35.56 cm | 17 lbs / 7.71 kg | Y | N |
| 3SKB-4212W | 42" x 11.75" x 6" / 106.68 cm x 29.85 cm x 15.24 cm | 44.38" x 14.81" x 8.44" / 112.71 cm x 37.62 cm x 21.43 cm | 13.45 lbs / 6.1 kg | Y | N |
| 1SKB-R4209W | 42" x 9" x 9" / 106.68 cm x 22.86 cm x 22.86 cm | 47.5" x 12.5" x 11" / 120.65 cm x 31.75 cm x 27.94 cm | 14.4 lbs / 6.53 kg | Y | N |
| 3R4222-14B | 42" x 22" x 14.9" / 106.68 cm x 55.88 cm x 37.85 cm | 45.25" x 25" x 16.4" / 114.94 cm x 63.5 cm x 41.66 cm | TBA | Y | N |
| 3R4222-15B | 42" x 22" x 15" / 106.68 cm x 55.88 cm x 38.1 cm | 45.13" x 25.14" x 18.2" / 114.63 cm x 63.86 cm x 46.23 cm | TBA | Y | N |
| 3R4222-24B | 42" x 22" x 24" / 106.68 cm x 55.88 cm x 60.96 cm | 45.13" x 25.14" x 27.2" / 114.63 cm x 63.86 cm x 69.09 cm | TBA | Y | N |
| 3i-4213-12 | 42.5" x 13.5" x 12" / 107.95 cm x 34.29 cm x 30.48 cm | 45.1" x 16.03" x 12.97" / 114.55 cm x 40.72 cm x 32.94 cm | 22.6 lbs / 10.25 kg | Y | N |
| 3i-4214-5 | 42.5" x 14.5" x 5.5" / 107.95 cm x 36.83 cm x 13.97 cm | 44.96" x 16.98" x 6.34" / 114.2 cm x 43.13 cm x 16.1 cm | 16.5 lbs / 7.48 kg | Y | N |
| 3i-4217-7 | 42.5" x 17" x 7.52" / 107.95 cm x 43.18 cm x 19.1 cm | 45.12" x 19.45" x 8.34" / 114.6 cm x 49.4 cm x 21.18 cm | 20.3 lbs / 9.21 kg | Y | N |
| 3SKB-4316W | 43.5" x 16" x 6.5" / 110.49 cm x 40.64 cm x 16.51 cm | 46.8" x 18.89" x 7.75" / 118.87 cm x 47.98 cm x 19.69 cm | 14.4 lbs / 6.53 kg | Y | N |
| 3R4417-8 | 44" x 17" x 8" / 111.76 cm x 43.18 cm x 20.32 cm | 46" x 21" x 9.63" / 116.84 cm x 53.34 cm x 24.45 cm | 25.65 lbs / 11.63 kg | Y | N |
| 3i-4414-10 | 44.5" x 14.5" x 10" / 113.03 cm x 36.83 cm x 25.4 cm | 47" x 17" x 10.875" / 119.38 cm x 43.18 cm x 27.62 cm | 22.89 lbs / 10.38 kg | Y | N |
| 3R4530-24 | 45" x 30" x 24" / 114.3 cm x 76.2 cm x 60.96 cm | 49" x 34" x 26.25" / 124.46 cm x 86.36 cm x 66.68 cm | 62.45 lbs / 28.33 kg | N | Y |
| 1SKB-R4611W | 46" x 11" x 11" / 116.84 cm x 27.9 cm x 27.9 cm | 50.75" x 12.75" x 14" / 128.91 cm x 32.39 cm x 35.56 cm | 16 lbs / 7.26 kg | Y | N |
| 3i-4719-8 | 47" x 19" x 8" / 119.38 cm x 48.26 cm x 20.32 cm | 49.66" x 21.5" x 8.87" / 126.14 cm x 54.61 cm x 22.53 cm | 23.4 lbs / 10.61 kg | Y | N |
| 1SKB-H4812W | 48.13" x 11.25" x 11" / 122.24 cm x 28.58 cm x 27.94 cm | 50.75" x 13.38" x 13" / 128.91 cm x 33.97 cm x 33.02 cm | 15.3 lbs / 6.94 kg | Y | N |
| 1SKB-H4816W | 48.25" x 16" x 12.38" / 122.56 cm x 40.64 cm x 31.43 cm | 49.5" x 17.25" x 14.68" / 125.73 cm x 43.82 cm x 37.27 cm | 21.56 lbs / 9.78 kg | Y | N |
| 3i-4909-5 | 49" x 9" x 5" / 124.46 cm x 22.86 cm x 12.7 cm | 50.35" x 11.54" x 5.84" / 127.89 cm x 29.31 cm x 14.83 cm | 12.45 lbs / 5.65 kg | Y | N |
| 3R4909-5 | 49.5" x 9" x 5.5" / 125.73 cm x 22.86 cm x 13.97 cm | 52.13" x 13" x 6.88" / 132.4 cm x 33.02 cm x 17.46 cm | 17.1 lbs / 7.76 kg | Y | N |
| 1SKB-H5020W | 49.75" x 20" x 13.75" / 126.37 cm x 50.8 cm x 34.93 cm | 51" x 21.88" x 14.5" / 129.54 cm x 55.56 cm x 36.83 cm | 23 lbs / 10.43 kg | Y | N |
| 1SKB-R5011W | 50" x 11" x 11" / 127 cm x 27.9 cm x 27.9 cm | 54.75" x 12.75" x 14" / 139.07 cm x 32.39 cm x 35.56 cm | 16 lbs / 7.26 kg | Y | N |
| 3R5030-24 | 50" x 30" x 24" / 127 cm x 76.2 cm x 60.96 cm | 53.26" x 34" x 26.25" / 135.28 cm x 86.36 cm x 66.68 cm | 69.35 lbs / 31.46 kg | N | Y |
| 2SKB-R4916W | 50" x 12" x 12" / 127 cm x 30.48 cm x 30.48 cm | 34.5" x 17.5" x 14.8" / 87.63 cm x 44.45 cm x 37.59 cm | 16.35 lbs / 7.42 kg | Y | N |

| Model # | Inside Dims (L x W x H) | Outside Dims (L x W x H) | Weight Empty | Standard With Wheels | Opt. Wheels/Caster Kit |
|-------------|---|--|----------------------|----------------------|------------------------|
| 2SKB-R5017W | 50" x 11.5" x 13" / 127 cm x 29.21 cm x 33.02 cm | 51" x 21.5" x 14.75" / 129.54 cm x 54.61 cm x 37.47 cm | 18.95 lbs / 8.6 kg | Y | N |
| 3i-5014-6 | 50.5" x 14.5" x 6" / 128.27 cm x 36.83 cm x 15.24 cm | 53.04" x 16.98" x 6.84" / 134.72 cm x 43.13 cm x 17.37 cm | 18.85 lbs / 8.55 kg | Y | N |
| 3R5123-21 | 51.5" x 23.5" x 21.5" / 130.81 cm x 59.69 cm x 54.61 cm | 55" x 27" x 24" / 139.7 cm x 68.58 cm x 60.96 cm | 78 lbs / 35.38 kg | N | N |
| 1SKB-R5220W | 51.88" x 17.88" x 7" / 131.78 cm x 45.42 cm x 17.78 cm | 55.25" x 23.75" x 7.5" / 140.34 cm x 60.33 cm x 19.05 cm | 28.3 lbs / 12.84 kg | Y | N |
| 3SKB-5211W | 52" x 11.75" x 6" / 132.08 cm x 29.85 cm x 15.24 cm | 54.38" x 14.81" x 7.56" / 138.11 cm x 37.62 cm x 19.21 cm | 15.65 lbs / 7.1 kg | Y | N |
| 3SKB-5216W | 52.25" x 16.5" x 6" / 132.72 cm x 41.91 cm x 15.24 cm | 55" x 19.38" x 8.25" / 139.7 cm x 49.21 cm x 20.96 cm | 21.35 lbs / 9.68 kg | Y | N |
| 3R5212-7B | 52.5" x 12.13" x 8" / 133.35 cm x 30.8 cm x 20.32 cm | 54.13" x 15.63" x 9.5" / 137.48 cm x 39.69 cm x 24.13 cm | 24.55 lbs / 11.14 kg | Y | N |
| 3i-5616-9 | 56" x 16" x 9" / 142.24 cm x 40.64 cm x 22.86 cm | 58.71" x 18.55" x 10.63" / 149.12 cm x 47.12 cm x 27 cm | 29.5 lbs / 13.38 kg | Y | N |
| 1SKB-R6020W | 57.75" x 19.75" x 6" / 146.69 cm x 50.17 cm x 15.24 cm | 62.75" x 23.5" x 7.5" / 159.39 cm x 59.69 cm x 19.05 cm | 28.15 lbs / 12.77 kg | Y | N |
| 3i-6018-8 | 60" x 18" x 8" / 152.4 cm x 45.72 cm x 20.32 cm | 62.71" x 20.62" x 9.63" / 159.28 cm x 52.37 cm x 24.46 cm | TBA | Y | N |
| 3SKB-6019W | 60.25" x 19.25" x 6" / 153.04 cm x 48.9 cm x 15.24 cm | 62.5" x 21.75" x 8.63" / 158.75 cm x 55.25 cm x 21.91 cm | 29.25 lbs / 13.27 kg | Y | N |
| 3SKB-6022W | 60.25" x 22.25" x 6" / 153.04 cm x 56.52 cm x 15.24 cm | 60.88" x 24.5" x 8.69" / 154.62 cm x 62.23 cm x 22.07 cm | 30.6 lbs / 13.88 kg | Y | N |
| 3SKB-5260 | 60.46" x 12.21" x 45.23" / 153.57 cm x 31.01 cm x 114.88 cm | 63" x 16" x 50.25" / 160.02 cm x 40.64 cm x 127.64 cm | 129.1 lbs / 58.56 kg | Y | N |
| 3R6218-10 | 62" x 18" x 10" / 157.48 cm x 45.72 cm x 25.4 cm | 65.25" x 22" x 13" / 165.74 cm x 55.88 cm x 33.02 cm | 42.35 lbs / 19.21 kg | Y | N |
| 3R6223-10 | 62" x 23" x 10" / 157.48 cm x 58.42 cm x 25.4 cm | 66.38" x 26.75" x 13" / 168.59 cm x 67.95 cm x 33.02 cm | 44.6 lbs / 20.23 kg | Y | N |
| 3SKB-6323W | 63" x 23" x 10.5" / 160.02 cm x 58.42 cm x 26.67 cm | 66" x 26" x 13.13" / 167.64 cm x 66.04 cm x 33.34 cm | 38.45 lbs / 17.44 kg | Y | N |
| 3R6416-8B | 64.5" x 16.5" x 8" / 163.83 cm x 41.91 cm x 20.32 cm | 67.73" x 20.23" x 11.54" / 172.03 cm x 51.38 cm x 29.31 cm | 46 lbs / 20.87 kg | Y | N |
| 3R6820-20 | 68" x 20" x 20.6" / 172.72 cm x 50.8 cm x 52.32 cm | 72" x 24" x 24" / 182.88 cm x 60.96 cm x 60.96 cm | 71.2 lbs / 32.3 kg | Y | N |
| 3R7408-8B | 74" x 8" x 8" / 187.96 cm x 20.32 cm x 20.32 cm | 77.3" x 11" x 9.4" / 196.34 cm x 27.94 cm x 23.88 cm | TBA | Y | N |
| 3R8608-8B | 86" x 8" x 8" / 218.44 cm x 20.32 cm x 20.32 cm | 89" x 11" x 9.4" / 226.06 cm x 27.94 cm x 23.88 cm | TBA | Y | N |

WARRANTY INFORMATION



LIFETIME WARRANTY

SKB injection molded, roto-molded, and ATA-rated hard case products are fully warranted against defects in materials and craftsmanship for the lifetime of the case to the original owner. SKB will repair or replace any product found to be defective. SKB DOES NOT REPLACE CASES FOR DAMAGED HARDWARE. All locks, handles, and wheels have been made to be field replaceable, take just minutes to install, and will be supplied to you at no charge via US mail. Please contact our customer service department at (800) 783-0087 with any parts requests.



SOFT PRODUCT WARRANTY

SKB Soft Products are fully warranted to the original owner against defects in materials and craftsmanship for one (1) year from purchase. Any defects in workmanship will be covered by SKB. Damages due to accident, improper care, negligence or normal wear, where SKB is not at fault, are not covered.



The Ultimate Protection For Your Sensitive Equipment

SKB USA

434 W. Levers Place
Orange, CA 92867
United States of America
ph: (714) 637-1252

www.skbcases.com

SKB EUROPE

Hamelendijk 2
5541 RA Reusel
Netherlands
ph: +31 (0) 497 339 836

www.skbcases.com

SKB MIDDLE EAST - AFRICA

Business Centre
Dubai World Central
PO Box 390667
Dubai Aviation City
Dubai, UAE
ph: +971 4 820 8017

www.skbcases-mea.com





TRANSPORTABLE RACK CASES

The Ultimate Protection For Your Sensitive Equipment





OUR STORY



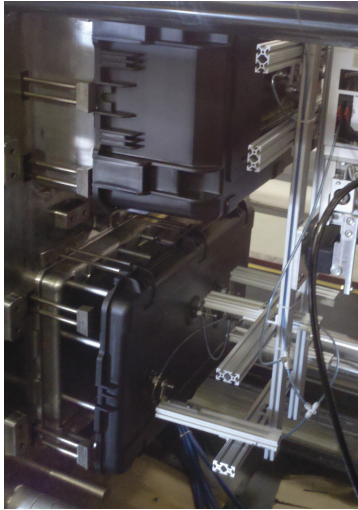
SKB Owners/Founders: Dave Sanderson and Steve Kottman

In 1977, two ambitious college students developed the first SKB case in a small Anaheim, California garage. Today, SKB is known around the world as the leading innovator and manufacturer of the finest instrument and equipment cases. Since the inception of our company, in addition to SKB branded products, leading companies have proudly supplied SKB cases for protection of their own products. SKB builds cases for a variety of markets (Industrial/Military, Sports, Music and Photo/Video) and that diversity allows us to be more creative and innovative in our case designs across the board. We have a true sense of accomplishment for more than 40 years of steady growth and for our adherence to quality standards that has made us industry leaders. We never lose sight of the fact that our customers give us the opportunity to excel and we are grateful for their trust and loyalty. We remain dedicated to the assurance that every SKB case has been manufactured with an unconditional commitment to unsurpassed quality and superior protection.

TABLE OF CONTENTS

| | |
|--------------------------------|-----------|
| 3RR SERIES | 5 |
| 3RS SERIES | 8 |
| 3SKB SERIES | 11 |
| 1SKB SERIES | 14 |
| iSERIES FLY RACKS | 16 |
| SPECIALTY RACKS | 17 |
| ACCESSORIES | 21 |
| RACK SPECIFICATIONS | 22 |

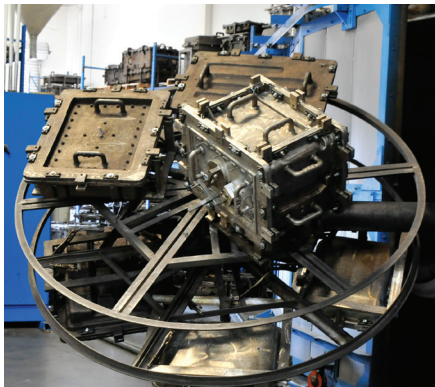




One of our injection molders in action

INJECTION MOLD

This is SKB's latest venture in our quest to provide the most innovative hard shell case products. Injection molding is an expensive investment and there is no room for error. Made with extreme pressure, even the smallest injection molded part requires a very large and heavy mold. SKB has molds that are nearly 20 tons! Many of our parts, such as our patented Trigger Latches are produced by the injection mold process. Our 3i case series includes a gasket that makes the case watertight and dust proof. Our latest injection molded cases for guitars and basses are very popular with touring musicians. These cases have dual lives as they are also used for military weapons. Never before has an ATA flight case been so lightweight, yet so advanced.



Molds rotating during production

ROTO-MOLD

In 1997, SKB invested in roto-mold machinery. These molds are ideal for making larger cases and cylindrical cases. The PE roto-mold material starts as a fine powder that is measured according to the size of the case. The material is then sealed up in a multi-piece aluminum mold and fixed on a biaxial rotating wheel. The material is heated at 800° in a very large oven while constantly rotating. The powder melts and coats the inside of the mold and after cooling, the cast is disassembled and the case is removed. Roto-Molding is great for providing maximum protection and can withstand maximum impact in transport.



Vacuum mold for keyboard case

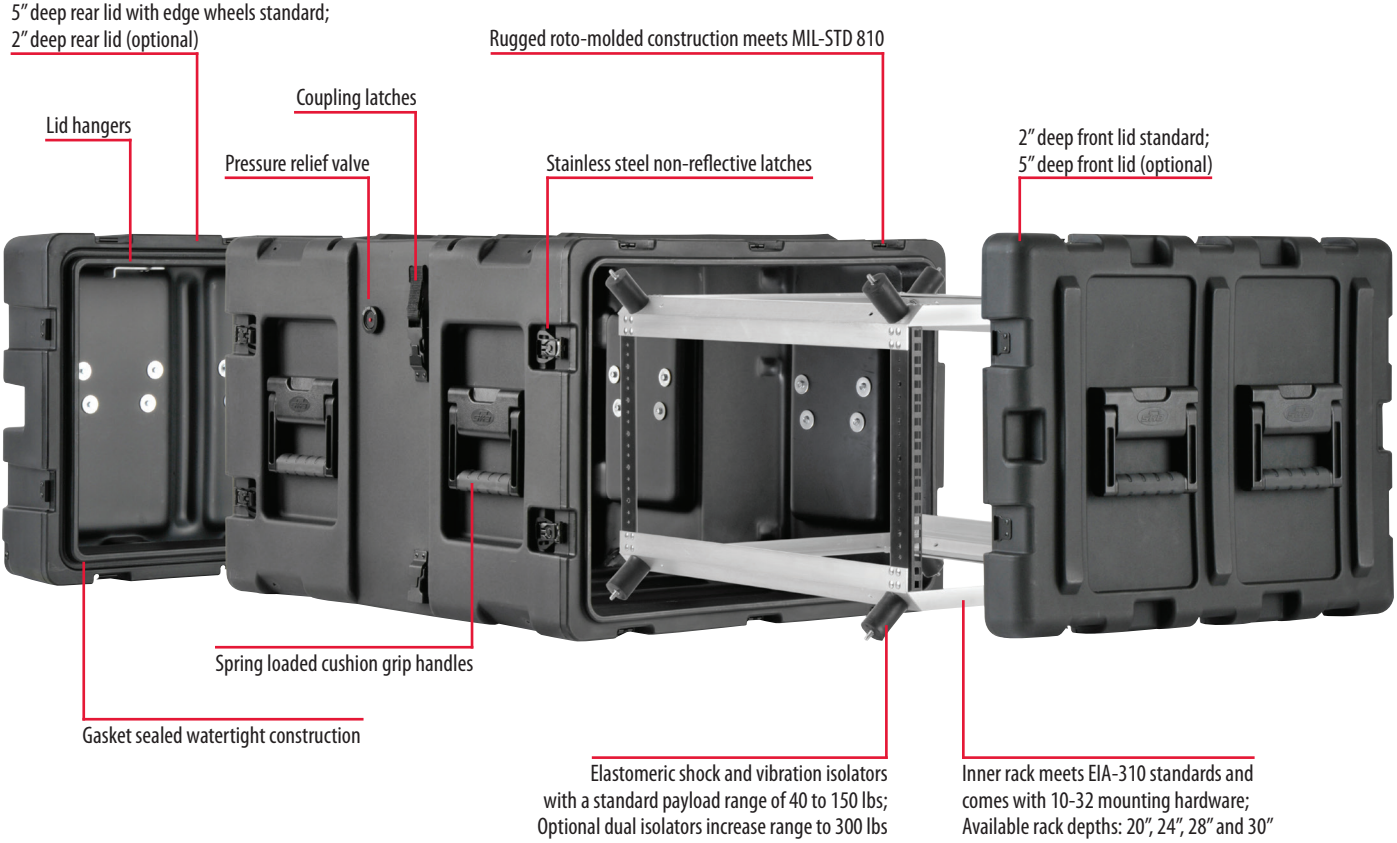
VACUUM FORM

Also known as thermal form, this was the first and most recognized "SKB Style" case. This method is very popular for guitar or band instrument cases. In 1990, SKB developed the first vacuum formed rack case. Acrylonitrile Butadiene Styrene (ABS) or Polyethylene (PE) is formed into solid sheets of material. The sheets are heated and are vacuum formed around aluminum castings, thus taking the shape of the mold. The edges have the distinctive aluminum valance that provides rigid construction as well as a secure fit. Vacuum formed products are known for their light weight and extreme durability.

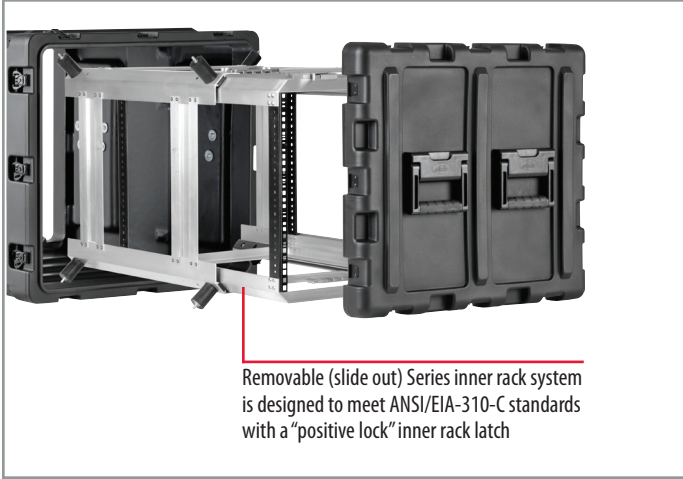


3RS & 3RR SHOCK RACKS

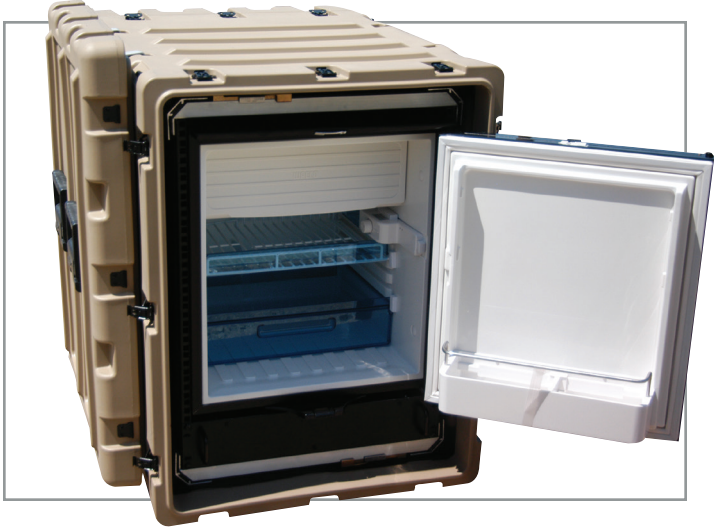
3RS STATIC SHOCK RACK SERIES



3RR REMOVABLE SERIES



SKB CASES IN THE FIELD



30" REMOVABLE SHOCK RACKS

When maximum shock absorption is needed with a sliding rack in the smallest exterior dimensions, this is the choice for this depth

Removable shock rack with patented "positive lock" latching system that slides open like a drawer



FEATURES

- Completely removable frame for access to bench integration
- Meets or exceeds MIL-STD-810G/IP67
- Standard payload range 40 to 150 lbs
- Optional extended payload range 160 to 300 lbs (3SKB-SA*)
- Standard 19" rack width per ANSI/EIA-310-C
- Standard rack depth 30" rail to rail
- Square hole rack rails to accommodate either #10-32 US standard, or 6mm international standard cage nuts - hardware included
- 2" front lid, and 5" rear lid with edge casters (standard); other options available
- SKB's rugged roto-molded shell ensures industry leading strength and impact resistance
- Molded in stacking ribs and lugs are designed to stack with competitive manufacturers' cases
- Black powder coated stainless steel hardware (standard) which is recessed for protection
- 8 comfort grip spring loaded lift handles
- Automatic ambient pressure relief valve (standard)
- Lid hangers (standard)
- Case coupling straps (standard)

AVAILABLE SIZES

| Model # | Lid Depth | | Rack Units | Rack Height |
|--------------|--------------|---------------|------------|------------------|
| | Front | Rear | | |
| 3RR-3U30-25B | 2" 5.1 cm | 5" 12.7 cm | 3U | 5.25" 13.3 cm |
| 3RR-4U30-25B | 2" 5.1 cm | 5" 12.7 cm | 4U | 7" 17.8 cm |
| 3RR-5U30-25B | 2" 5.1 cm | 5" 12.7 cm | 5U | 8.75" 22.2 cm |

ACCESSORIES

3SKB-SA Shock Absorber Kit
Set of 8 extra shock absorbers with a capable load range of 40 to 150 lbs (18 kg to 68 kg)
*Installed by factory only



3SKB-SLP Shipping Label Plate
12" x 7" aluminum label (comes with installation kit)



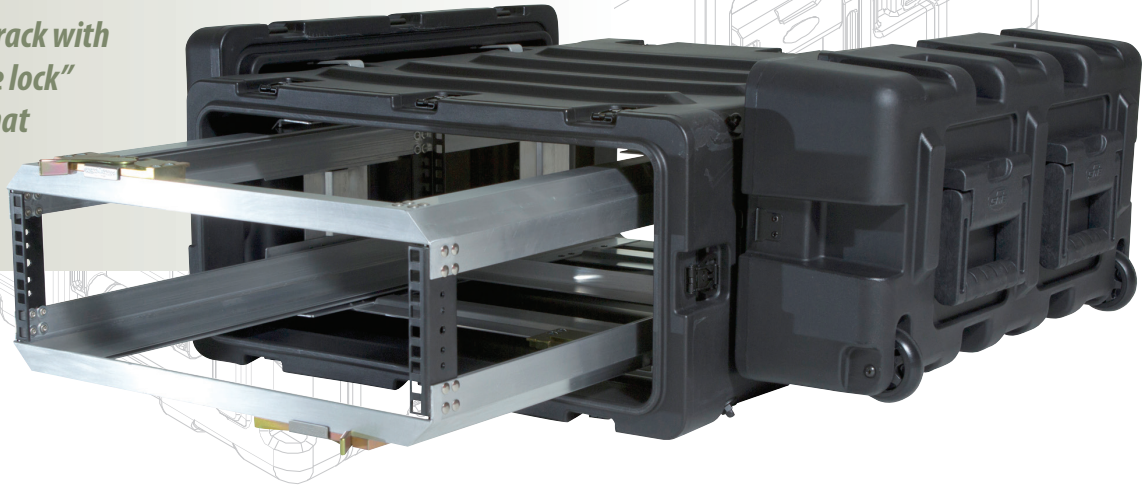
3SKB-SR30 30" Support Rails
Zinc plated steel rails to support additional weight



24" REMOVABLE SHOCK RACKS

When maximum shock absorption is needed with a sliding rack in the smallest exterior dimensions, this is the choice for this depth

Removable shock rack with patented "positive lock" latching system that slides open like a drawer



FEATURES

- Completely removable frame for access to bench integration
- Meets or exceeds MIL-STD-810G/IP67
- Standard payload range 40 to 150 lbs
- Optional extended payload range 160 to 300 lbs (3SKB-SA*)
- Standard 19" rack width per ANSI/EIA-310-C
- Standard rack depth 24" rail to rail
- Square hole rack rails to accommodate either #10-32 US standard, or 6mm international standard cage nuts - hardware included
- 2" front lid, and 5" rear lid with edge casters (standard); other options available
- SKB's rugged roto-molded shell ensures industry leading strength and impact resistance
- Molded in stacking ribs and lugs are designed to stack with competitive manufacturers' cases
- Black powder coated stainless steel hardware (standard) which is recessed for protection
- 8 comfort grip spring loaded lift handles
- Automatic ambient pressure relief valve (standard)
- Lid hangers (standard)
- Case coupling straps (standard)

AVAILABLE SIZES

| Model # | Lid Depth | | Rack Units | Rack Height |
|---------------|--------------|---------------|------------|-------------------|
| | Front | Rear | | |
| 3RR-3U24-25B | 2" 5.1 cm | 5" 12.7 cm | 3U | 5.25" 13.3 cm |
| 3RR-4U24-25B | 2" 5.1 cm | 5" 12.7 cm | 4U | 7" 17.8 cm |
| 3RR-5U24-25B | 2" 5.1 cm | 5" 12.7 cm | 5U | 8.75" 22.2 cm |
| 3RR-7U24-25B | 2" 5.1 cm | 5" 12.7 cm | 7U | 12.25" 31.1 cm |
| 3RR-9U24-25B | 2" 5.1 cm | 5" 12.7 cm | 9U | 15.75" 40 cm |
| 3RR-11U24-25B | 2" 5.1 cm | 5" 12.7 cm | 11U | 19.25" 48.9 cm |
| 3RR-14U24-25B | 2" 5.1 cm | 5" 12.7 cm | 14U | 24.5" 62.2 cm |

ACCESSORIES

3SKB-SA Shock Absorber Kit
Set of 8 extra shock absorbers with a capable load range of 40 to 150 lbs (18 kg to 68 kg)
*Installed by factory only



3SKB-SLP Shipping Label Plate
12" x 7" aluminum label (comes with installation kit)



3SKB-SR24 24" Support Rails
Zinc plated steel rails to support additional weight



20" REMOVABLE SHOCK RACKS

When maximum shock absorption is needed with a sliding rack in the smallest exterior dimensions, this is the choice for this depth

Removable shock rack with patented "positive lock" latching system that slides open like a drawer



FEATURES

- Completely removable frame for access to bench integration
- Meets or exceeds MIL-STD-810G/IP67
- Standard payload range 40 to 150 lbs
- Optional extended payload range 160 to 300 lbs (3SKB-SA*)
- Standard 19" rack width per ANSI/EIA-310-C
- Standard rack depth 20" rail to rail
- Square hole rack rails to accommodate either #10-32 US standard, or 6mm international standard cage nuts - hardware included
- 2" front lid and 2" rear lid standard; other lid depths available
- SKB's rugged roto-molded shell ensures industry leading strength and impact resistance
- Molded in stacking ribs and lugs are designed to stack with competitive manufacturers' cases
- Black powder coated stainless steel hardware (standard) which is recessed for protection
- 8 comfort grip spring loaded lift handles
- Automatic ambient pressure relief valve (standard)
- Lid hangers (standard)
- Case coupling straps (standard)

AVAILABLE SIZES

| Model # | Lid Depth | | Rack Units | Rack Height |
|---------------|--------------|--------------|------------|-------------------|
| | Front | Rear | | |
| 3RR-3U20-22B | 2" 5.1 cm | 2" 5.1 cm | 3U | 5.25" 13.3 cm |
| 3RR-4U20-22B | 2" 5.1 cm | 2" 5.1 cm | 4U | 7" 17.8 cm |
| 3RR-5U20-22B | 2" 5.1 cm | 2" 5.1 cm | 5U | 8.75" 22.2 cm |
| 3RR-6U20-22B | 2" 5.1 cm | 2" 5.1 cm | 6U | 10.5" 26.7 cm |
| 3RR-7U20-22B | 2" 5.1 cm | 2" 5.1 cm | 7U | 12.25" 31.1 cm |
| 3RR-9U20-22B | 2" 5.1 cm | 2" 5.1 cm | 9U | 15.75" 40 cm |
| 3RR-11U20-22B | 2" 5.1 cm | 2" 5.1 cm | 11U | 19.25" 48.9 cm |
| 3RR-14U20-22B | 2" 5.1 cm | 2" 5.1 cm | 14U | 24.5" 62.2 cm |

ACCESSORIES

3SKB-SA Shock Absorber Kit
Set of 8 extra shock absorbers with a capable load range of 40 to 150 lbs (18 kg to 68 kg)
*Installed by factory only



3SKB-SLP Shipping Label Plate
12" x 7" aluminum label (comes with installation kit)



3SKB-SR20 20" Support Rails
Zinc plated steel rails to support additional weight



30" STATIC SHOCK RACKS

When maximum shock isolation is needed but a sliding frame is not, this fixed rack case gives our best performance with the smallest exterior dimension foot print for this depth

30" deep static frame shock racks with square hole rails, and the same durability/strength as the 3RR



FEATURES

- Meets or exceeds MIL-STD-810G/IP67
- Standard payload range 40 to 150 lbs
- Optional extended payload range 160 to 300 lbs (3SKB-SA*)
- Standard 19" rack width per ANSI/EIA-310-C
- Standard rack depth 30" rail to rail
- Square hole rack rails to accommodate either #10-32 US standard, or 6mm international standard cage nuts - hardware included
- 2" front lid, and 5" rear lid with edge casters (standard); other options available
- SKB's rugged roto-molded shell ensures industry leading strength and impact resistance
- Molded in stacking ribs and lugs are designed to stack with competitive manufacturers' cases
- Black powder coated stainless steel hardware (standard) which is recessed for protection
- 8 comfort grip spring loaded lift handles
- Automatic ambient pressure relief valve (standard)
- Lid hangers (standard)
- Case coupling straps (standard)
- Reduced footprint
- Low profile
- Light weight
- Lifetime warranty

AVAILABLE SIZES

| Model # | Lid Depth | | Rack Units | Rack Height |
|--------------|--------------|---------------|------------|------------------|
| | Front | Rear | | |
| 3RS-3U30-25B | 2" 5.1 cm | 5" 12.7 cm | 3U | 5.5" 14 cm |
| 3RS-4U30-25B | 2" 5.1 cm | 5" 12.7 cm | 4U | 7" 17.8 cm |
| 3RS-5U30-25B | 2" 5.1 cm | 5" 12.7 cm | 5U | 8.75" 22.2 cm |

ACCESSORIES

3SKB-SA Shock Absorber Kit
Set of 8 extra shock absorbers with a capable load range of 40 to 150 lbs (18 kg to 68 kg)
*Installed by factory only



3SKB-SLP Shipping Label Plate
12" x 7" aluminum label (comes with installation kit)



3SKB-SR30 30" Support Rails
Zinc plated steel rails to support additional weight



24" STATIC SHOCK RACKS

When maximum shock isolation is needed but a sliding frame is not, this fixed rack case gives our best performance with the smallest exterior dimension foot print for this depth

24" deep static frame shock racks with square hole rails, and the same durability/strength as the 3RR



FEATURES

- Meets or exceeds MIL-STD-810G/IP67
- Standard payload range 40 to 150 lbs
- Optional extended payload range 160 to 300 lbs (3SKB-SA*)
- Standard 19" rack width per ANSI/EIA-310-C
- Standard rack depth 24" rail to rail
- Square hole rack rails to accommodate either #10-32 US standard, or 6mm international standard cage nuts - hardware included
- 2" front lid, and 5" rear lid with edge casters (standard); other options available
- SKB's rugged roto-molded shell ensures industry leading strength and impact resistance
- Molded in stacking ribs and lugs are designed to stack with competitive manufacturers' cases
- Black powder coated stainless steel hardware (standard) which is recessed for protection
- 8 comfort grip spring loaded lift handles
- Automatic ambient pressure relief valve (standard)
- Lid hangers (standard)
- Case coupling straps (standard)
- Reduced footprint
- Low profile
- Light weight
- Lifetime warranty

AVAILABLE SIZES

| Model # | Lid Depth | | Rack Units | Rack Height |
|---------------|--------------|---------------|------------|-------------------|
| | Front | Rear | | |
| 3RS-3U24-25B | 2" 5.1 cm | 5" 12.7 cm | 3U | 5.5" 14 cm |
| 3RS-4U24-25B | 2" 5.1 cm | 5" 12.7 cm | 4U | 7" 17.8 cm |
| 3RS-5U24-25B | 2" 5.1 cm | 5" 12.7 cm | 5U | 8.75" 22.2 cm |
| 3RS-7U24-25B | 2" 5.1 cm | 5" 12.7 cm | 7U | 12.25" 31.1 cm |
| 3RS-9U24-25B | 2" 5.1 cm | 5" 12.7 cm | 9U | 15.75" 40 cm |
| 3RS-11U24-25B | 2" 5.1 cm | 5" 12.7 cm | 11U | 19.25" 48.9 cm |
| 3RS-14U24-25B | 2" 5.1 cm | 5" 12.7 cm | 14U | 24.5" 62.2 cm |

ACCESSORIES

3SKB-SA Shock Absorber Kit
Set of 8 extra shock absorbers with a capable load range of 40 to 150 lbs (18 kg to 68 kg)
*Installed by factory only



3SKB-SLP Shipping Label Plate
12" x 7" aluminum label (comes with installation kit)



3SKB-SR24 24" Support Rails
Zinc plated steel rails to support additional weight



20" STATIC SHOCK RACKS

When maximum shock isolation is needed but a sliding frame is not, this fixed rack case gives our best performance with the smallest exterior dimension foot print for this depth

20" deep static frame shock racks with square hole rails, and the same durability/strength as the 3RR



FEATURES

- Meets or exceeds MIL-STD-810G/IP67
- Standard payload range 40 to 150 lbs
- Optional extended payload range 160 to 300 lbs (3SKB-SA*)
- Standard 19" rack width per ANSI/EIA-310-C
- Standard rack depth 20" rail to rail
- Square hole rack rails to accommodate either #10-32 US standard, or 6mm international standard cage nuts - hardware included
- 2" front lid and 2" rear lid standard; other lid depths available
- SKB's rugged roto-molded shell ensures industry leading strength and impact resistance
- Molded in stacking ribs and lugs are designed to stack with competitive manufacturers' cases
- Black powder coated stainless steel hardware (standard) which is recessed for protection
- 8 comfort grip spring loaded lift handles
- Automatic ambient pressure relief valve (standard)
- Lid hangers (standard)
- Case coupling straps (standard)
- Reduced footprint
- Low profile
- Light weight
- Lifetime warranty

AVAILABLE SIZES

| Model # | Lid Depth | | Rack Units | Rack Height |
|---------------|--------------|--------------|------------|-------------------|
| | Front | Rear | | |
| 3RS-3U20-22B | 2" 5.1 cm | 2" 5.1 cm | 3U | 5.25" 13.3 cm |
| 3RS-4U20-22B | 2" 5.1 cm | 2" 5.1 cm | 4U | 7" 17.8 cm |
| 3RS-5U20-22B | 2" 5.1 cm | 2" 5.1 cm | 5U | 8.75" 22.2 cm |
| 3RS-6U20-22B | 2" 5.1 cm | 2" 5.1 cm | 6U | 10.5" 26.7 cm |
| 3RS-7U20-22B | 2" 5.1 cm | 2" 5.1 cm | 7U | 12.25" 31.1 cm |
| 3RS-9U20-22B | 2" 5.1 cm | 2" 5.1 cm | 9U | 15.75" 40 cm |
| 3RS-11U20-22B | 2" 5.1 cm | 2" 5.1 cm | 11U | 19.25" 48.9 cm |
| 3RS-14U20-22B | 2" 5.1 cm | 2" 5.1 cm | 14U | 24.5" 62.2 cm |

ACCESSORIES

3SKB-SA Shock Absorber Kit
Set of 8 extra shock absorbers with a capable load range of 40 to 150 lbs (18 kg to 68 kg)
*Installed by factory only



3SKB-SLP Shipping Label Plate
12" x 7" aluminum label (comes with installation kit)



3SKB-SR20 20" Support Rails
Zinc plated steel rails to support additional weight



3SKB SERIES



30" ROTO SHOCK RACKS

When shock isolation is needed and overall value is of concern, this series is a great option for this depth

Roto-molded shock rack with threaded steel rails, aluminum interior "H" shaped frame for maximum strength and compound hinge system, 30" deep to fit deeper servers



FEATURES

- Front and rear threaded steel rails
- Patented compound hinged doors
- Mounting hardware included
- Shock and water resistant
- Casters
- Gasket sealed doors
- Automatic ambient pressure relief valve (standard)
- Stainless steel key-lockable field replaceable latches
- Removable 4" casters (standard)
- Stacks securely with the wheels on or off
- Recessed latches
- Adjustable elastomer shock absorbers
- Provisions to add additional shocks
- Roto-molded for strength

AVAILABLE SIZES

| Model # | Lid Depth | | Rack Units | Rack Height |
|--------------|-----------------|-----------------|------------|------------------|
| | Front | Rear | | |
| 3SKB-R904U30 | 4.5" 11.4 cm | 4.5" 11.4 cm | 4U | 7" 17.8 cm |
| 3SKB-R906U30 | 4.5" 11.4 cm | 4.5" 11.4 cm | 6U | 10.5" 26.7 cm |
| 3SKB-R908U30 | 4.5" 11.4 cm | 4.5" 11.4 cm | 8U | 14" 35.6 cm |
| 3SKB-R910U30 | 4.5" 11.4 cm | 4.5" 11.4 cm | 10U | 17.5" 44.5 cm |

ACCESSORIES

1SKB19-AC1

Rack Mount Hardware

Package of 12 clips and screws for mounting electronics

3SKB-BB60

Small Accessory Pocket

20" x 10" x 3" pocket that attaches to case lids (comes with hardware)

3SKB-BB61

Large Accessory Pocket

20" x 15.5" x 3" pocket that attaches to case lids (comes with hardware)

3SKB-BB62

Caster Accessory Bag

12" x 9.5" x 3.5" accessory bag with compartments (comes with hardware)

3SKB-HPK

Heavy Payload Kit

Load spreaders for stability, and extra shock absorbers for shock and vibration when additional weight is required; load capacity 150 lbs to 300 lbs (fits all 3SKB 24", 28" and 30" shock racks)

3SKB-SLP

Shipping Label Plate

12" x 7" aluminum label (comes with installation kit)

3SKB-SR30

30" Support Rails

Zinc plated steel rails to support additional weight



28" ROTO SHOCK RACKS

When shock isolation is needed and overall value is of concern, this series is a great option for this depth

Roto-molded shock rack with threaded steel rails, aluminum interior "H" shaped frame for maximum strength, and compound hinge system, 28" deep to fit deeper servers



FEATURES

- Includes Adjustable Rail Conversion System (ARCS)
- Patented compound hinged doors
- Mounting hardware included
- Rear rails
- Casters
- Shock and water resistant
- Gasket sealed doors
- Automatic ambient pressure relief valve (standard)
- Stainless steel key-lockable field replaceable latches
- Removable 4" casters (standard)
- Stacks securely with the wheels on or off
- Recessed latches
- Adjustable elastomer shock absorbers
- Provisions to add additional shocks
- Roto-molded for strength

AVAILABLE SIZES

| Model # | Lid Depth | | Rack Units | Rack Height |
|--------------|-----------------|-----------------|------------|------------------|
| | Front | Rear | | |
| 3SKB-R904U28 | 4.5" 11.4 cm | 4.5" 11.4 cm | 4U | 7" 17.8 cm |
| 3SKB-R906U28 | 4.5" 11.4 cm | 4.5" 11.4 cm | 6U | 10.5" 26.7 cm |
| 3SKB-R908U28 | 4.5" 11.4 cm | 4.5" 11.4 cm | 8U | 14" 35.6 cm |
| 3SKB-R910U28 | 4.5" 11.4 cm | 4.5" 11.4 cm | 10U | 17.5" 44.5 cm |

ACCESSORIES

- 3SKB-BB60 Small Accessory Pocket**
20" x 10" x 3" attaches to case lids (comes with hardware)
- 3SKB-BB61 Large Accessory Pocket**
20" x 15.5" x 3" attaches to case lids (comes with hardware)
- 3SKB-BB62 Caster Accessory Bag**
12" x 9.5" x 3.5" accessory bag with compartments (comes with hardware)
- 3SKB-HPK Heavy Payload Kit**
Load spreaders for stability, and extra shock absorbers for shock and vibration when additional weight is required; load capacity 150 lbs to 300 lbs (fits all 3SKB 24", 28" and 30" shock racks)
- 3SKB-SLP Shipping Label Plate**
12" x 7" aluminum label (comes with installation kit)
- 3SKB-SR28 28" Support Rails**
Zinc plated steel rails to support additional weight

24" ROTO SHOCK RACKS

When shock isolation is needed and overall value is of concern, this series is a great option for this depth

Roto-molded shock rack with threaded steel rails, aluminum interior "H" shaped frame for maximum strength, and compound hinge system, 24" deep to fit deeper servers



FEATURES

- Front and rear threaded steel rails
- Patented compound hinged doors
- Mounting hardware included
- Shock and water resistant
- Casters
- Gasket sealed doors
- Automatic ambient pressure relief valve (standard)
- Stainless steel key-lockable field replaceable latches
- Removable 4" casters (standard)
- Stacks securely with the wheels on or off
- Recessed latches
- Adjustable elastomer shock absorbers
- Provisions to add additional shocks
- Roto-molded for strength

AVAILABLE SIZES

| Model # | Lid Depth | | Rack Units | Rack Height |
|--------------|-----------------|-----------------|------------|------------------|
| | Front | Rear | | |
| 3SKB-R904U24 | 4.5" 11.4 cm | 4.5" 11.4 cm | 4U | 7" 17.8 cm |
| 3SKB-R906U24 | 4.5" 11.4 cm | 4.5" 11.4 cm | 6U | 10.5" 26.7 cm |
| 3SKB-R908U24 | 4.5" 11.4 cm | 4.5" 11.4 cm | 8U | 14" 35.6 cm |
| 3SKB-R910U24 | 4.5" 11.4 cm | 4.5" 11.4 cm | 10U | 17.5" 44.5 cm |
| 3SKB-R912U24 | 4.5" 11.4 cm | 4.5" 11.4 cm | 12U | 21" 53.3 cm |
| 3SKB-R914U24 | 4.5" 11.4 cm | 4.5" 11.4 cm | 14U | 24.5" 62.2 cm |
| 3SKB-R916U24 | 4.5" 11.4 cm | 4.5" 11.4 cm | 16U | 28" 71.1 cm |

ACCESSORIES

1SKB19-AC1

Rack Mount Hardware

Package of 12 clips and screws for mounting electronics

3SKB-BB60

Small Accessory Pocket

20" x 10" x 3" attaches to case lids (comes with hardware)

3SKB-BB61

Large Accessory Pocket

20" x 15.5" x 3" attaches to case lids (comes with hardware)

3SKB-BB62

Caster Accessory Bag

12" x 9.5" x 3.5" accessory bag with compartments (comes with hardware)

3SKB-HPK

Heavy Payload Kit

Load spreaders for stability, and extra shock absorbers for shock and vibration when additional weight is required; load capacity 150 lbs to 300 lbs (fits all 3SKB 24", 28" and 30" shock racks)

3SKB-SLP

Shipping Label Plate

12" x 7" aluminum label (comes with installation kit)

3SKB-SR24

24" Support Rails

Zinc plated steel rails to support additional weight

20" ROTO SHOCK RACKS

When shock isolation is needed and overall value is of concern, this series is a great option for this depth

Roto-molded shock rack with threaded steel rails, aluminum interior "H" shaped frame for maximum strength



FEATURES

- Includes rear rails, front and rear lid
- Adjustable elastomer shock technology
- Precise level of shock absorption for any load
- Molded handles provide an easy and secure grasping point
- Mounting hardware included

AVAILABLE SIZES

| Model # | Lid Depth | | Rack Units | Rack Height |
|---------------|-----------------|-----------------|------------|------------------|
| | Front | Rear | | |
| *1SKB-R904U20 | 2.25" 5.7 cm | 2.25" 5.7 cm | 4U | 7" 17.8 cm |
| *1SKB-R906U20 | 2.25" 5.7 cm | 2.25" 5.7 cm | 6U | 10.5" 26.7 cm |
| *1SKB-R908U20 | 3.25" 8.3 cm | 3.25" 8.3 cm | 8U | 14" 35.6 cm |
| 1SKB-R910U20 | 3.25" 8.3 cm | 3.25" 8.3 cm | 10U | 17.5" 44.5 cm |
| 1SKB-R912U20 | 3.25" 8.3 cm | 3.25" 8.3 cm | 12U | 21" 53.3 cm |
| 1SKB-R914U20 | 3.25" 8.3 cm | 3.25" 8.3 cm | 14U | 24.5" 62.2 cm |
| 1SKB-R916U20 | 3.25" 8.3 cm | 3.25" 8.3 cm | 16U | 28" 71.1 cm |

*Cannot accommodate extra shocks

ACCESSORIES

1SKB-1916 Shockmount Roto Caster Kit
Roto-molded caster board with 3" locking wheels for stacking 20" shock racks for transportation

1SKB19-AC1 Rack Mount Hardware
Package of 12 clips and screws for mounting electronics

3SKB-BB60 Small Accessory Pocket
20" x 10" x 3" attaches to case lids (comes with hardware)

3SKB-BB61 Large Accessory Pocket
20" x 15.5" x 3" attaches to case lids (comes with hardware)

3SKB-BB62 Caster Accessory Bag
12" x 9.5" x 3.5" accessory bag with compartments (comes with hardware)

3SKB-SA Shock Absorber Kit
Set of 8 extra shock absorbers with a capable load range of 40 to 150 lbs (18 kg to 68 kg)

3SKB-SLP Shipping Label Plate
12" x 7" aluminum label (comes with installation kit)

3SKB-SR20 20" Support Rails
Zinc plated steel rails to support additional weight

20" SHOCK ABSORBING ROLLING RACKS

Roto-molded 20" deep rack frame with pull handle and wheels, and a molded valance and rubber gasket on both the front and rear doors for water resistant protection with elastomeric shocks



FEATURES

- Threaded steel rails
- Rear rails
- Built-in wheels
- Shock and water resistant
- Low profile pull handle
- Black powder coated twist latches with locking loops
- Mounting hardware included

AVAILABLE SIZES

| Model # | Lid Depth | | Rack Units | Rack Height |
|--------------|-----------------|-----------------|------------|------------------|
| | Front | Rear | | |
| 3SKB-R04U20W | 2.25" 5.7 cm | 2.25" 5.7 cm | 4U | 7" 17.8 cm |
| 3SKB-R06U20W | 2.25" 5.7 cm | 2.25" 5.7 cm | 6U | 10.5" 26.7 cm |
| 3SKB-R08U20W | 3.25" 8.3 cm | 3.25" 8.3 cm | 8U | 14" 35.6 cm |
| 3SKB-R10U20W | 3.25" 8.3 cm | 3.25" 8.3 cm | 10U | 17.5" 44.5 cm |
| 3SKB-R12U20W | 3.25" 8.3 cm | 3.25" 8.3 cm | 12U | 21" 53.3 cm |

ACCESSORIES

1SKB19-AC1

Rack Mount Hardware

Package of 12 clips and screws for mounting electronics

3SKB-BB60

Small Accessory Pocket

20" x 10" x 3" attaches to case lids (comes with hardware)

3SKB-BB61

Large Accessory Pocket

20" x 15.5" x 3" attaches to case lids (comes with hardware)

3SKB-BB62

Caster Accessory Bag

12" x 9.5" x 3.5" accessory bag with compartments (comes with hardware)

3SKB-SA

Shock Absorber Kit

Set of 8 extra shock absorbers with a capable load range of 40 to 150 lbs (18 kg to 68 kg)

3SKB-SLP

Shipping Label Plate

12" x 7" aluminum label (comes with installation kit)

3SKB-SR20

20" Support Rails

Zinc plated steel rails to support additional weight

REMOVABLE RACKS FOR PORTABILITY

Featuring both injection molded cases and racks, our improved waterproof Fly Racks are less than half the weight of standard shock racks and under 62 linear inches to keep from being oversized—the perfect solution for flying or shipping delicate equipment.



FEATURES

- Injection molded removable shock rack cage – hardware included
- 13" rack depth
- Interior foam protection
- Ultra high-strength polypropylene copolymer resin
- UV, solvent, corrosion and fungus resistant (MIL-STD-810F)
- Complete gasket seal makes these cases absolutely watertight (MIL-STD-C-4150J)
- Automatic ambient pressure equalization value (MIL-STD-648C & IP67)
- Molded-in hinges
- TSA Acceptable trigger release latch system
- Rubber over-molded cushion grip handles
- Locking loops to accommodate a customer supplied lock
- Convenient wheels and push button pull handle on 3U and 4U models

AVAILABLE SIZES

| Model # | Rack Units | Rack Height | Rack Depth |
|--------------|------------|-------------------|-----------------|
| 3i-2217M82U | 2U | 3.5" 8.9 cm | 13" 33.02 cm |
| 3i-2217M103U | 3U | 5.25" 13.3 cm | 13" 33.02 cm |
| 3i-2217M124U | 4U | 7" 17.8 cm | 13" 33.02 cm |
| 3i-2317M146U | 6U | 10.5" 26.67 cm | 13" 33.02 cm |
| 3i-2424-146U | 6U | 10.5" 26.67 cm | 19" 48.26 cm |
| 3i-22221210U | 10U | 17.5" 44.45 cm | 10" 25.4 cm |

ACCESSORIES

3i-HD81
iSeries HD81 Large Replacement Colored Handles
 8.625" long colored handles to help differentiate between black cases; available in four colors: (BE) Blue, (RD) Red, (GN) Green and (YW) Yellow



* Customized case sizes available. Check with your dealer or sales representative.



ROTO RACKS

SKB roto-molded racks are 19" deep with a molded-in unbendable valance, threaded steel rails, with self tapping screws



FEATURES

- Roto-molded for strength and durability
- Front and rear gasket sealed covers
- Interlocking stacking ribs
- New size bar cover design
- Recessed latches
- Heavy-duty flush mount handles
- Roto-molded uni-body construction
- Rack mount hardware included for secure front or rear mounting
- Threaded steel rails
- Rear rails included
- Front and rear full size lids
- Molded-in handles
- Shock absorbing feet
- Recessed latches



AVAILABLE SIZES

| Model # | Lid Depth | | Rack Units | Rack Height |
|-----------|-----------------|-----------------|------------|------------------|
| | Front | Rear | | |
| 1SKB-R2U | 1.25" 3.2 cm | 1.25" 3.2 cm | 2U | 3.5" 8.9 cm |
| 1SKB-R3U | 1.25" 3.2 cm | 1.25" 3.2 cm | 3U | 5.25" 13.3 cm |
| 1SKB-R4U | 1.25" 3.2 cm | 1.25" 3.2 cm | 4U | 7" 17.8 cm |
| 1SKB-R6U | 1.25" 3.2 cm | 1.25" 3.2 cm | 6U | 10.5" 26.7 cm |
| 1SKB-R8U | 1.25" 3.2 cm | 1.25" 3.2 cm | 8U | 14" 35.6 cm |
| 1SKB-R10U | 1.25" 3.2 cm | 1.25" 3.2 cm | 10U | 17.5" 44.5 cm |
| 1SKB-R12U | 1.25" 3.2 cm | 1.25" 3.2 cm | 12U | 21" 53.3 cm |

SHALLOW RACKS

10.5" depth shallow racks accommodate a variety of smaller components without unplugging to close the back panel. This case is compact and stacks on all amps.



FEATURES

- Roto-molded for strength and durability
- Front and rear gasket sealed covers
- Interlocking stacking ribs
- Recessed latches
- Heavy-duty flush mount handles
- Shock absorbing rubber feet
- Rack mount hardware included for secure front or rear mounting



AVAILABLE SIZES

| Model # | Lid Depth | | Rack Units | Rack Height |
|----------|-----------------|-----------------|------------|------------------|
| | Front | Rear | | |
| 1SKB-R2S | 1.25" 3.2 cm | 1.25" 3.2 cm | 2U | 3.5" 8.9 cm |
| 1SKB-R3S | 1.25" 3.2 cm | 1.25" 3.2 cm | 3U | 5.25" 13.3 cm |
| 1SKB-R4S | 1.25" 3.2 cm | 1.25" 3.2 cm | 4U | 7" 17.8 cm |
| 1SKB-R6S | 1.25" 3.2 cm | 1.25" 3.2 cm | 6U | 10.5" 26.7 cm |

NON-SHOCK ROLLING RACKS

Improved Rolling Rack models offer secure protection with the convenience of sturdy wheels and a pull handle



FEATURES

- Stacks with SKB Standard and Shallow Racks
- Military-grade butterfly latches
- Gasket-sealed lids
- Back lid mounted wheels
- Threaded steel rails
- Rear rack rails included
- Rear access door
- Low profile handle



AVAILABLE SIZES

| Model # | Lid Depth | | Rack Units | Rack Height |
|-----------|-----------------|-----------------|------------|------------------|
| | Front | Rear | | |
| 1SKB-R4UW | 1.5" 3.81 cm | 1.5" 3.81 cm | 4U | 7" 17.8 cm |
| 1SKB-R6UW | 1.5" 3.81 cm | 1.5" 3.81 cm | 6U | 10.5" 26.7 cm |
| 1SKB-R8UW | 1.5" 3.81 cm | 1.5" 3.81 cm | 8U | 14" 35.6 cm |

STUDIO FLYERS

A powerhouse of innovative features packed into a compact size and injection molded to be lighter, stronger, and less expensive than previous models



FEATURES

- Injection molded, waterproof construction
- Molded-in front/rear rack rails
- Rubber cleats to secure laptop on work surface
- Quiet-glide wheels and pull handle



AVAILABLE SIZES

| Model # | Top Platform | Rack Units | Rack Height |
|------------|------------------------------------|------------|------------------|
| 1SKB-iSF2U | 19" x 11" 48.26 cm x 27.94 cm | 2U | 9.25" 23.5 cm |
| 1SKB-iSF4U | 21" x 15.5" 53.34 cm x 39.37 cm | 4U | 13.5" 34.3 cm |

SOFT RACKS

These soft cases have been developed with the focus on portability and includes an adjustable shoulder strap and loop handle for easy transport



FEATURES

- Constructed of a wood core covered by 600 Denier Nylon
- Adjustable shoulder strap and loop handle for easy transport
- 14.8" depth (front rail to back flap)
- Padded front and back lids have heavy duty zippers
- Interior front pouch provides excellent storage of wireless mic antennae
- Exterior zippered pouch is ideal for cables and/or body packs
- Recessed threaded steel rack rails - hardware included
- Covered by SKB's One Year Soft Product Warranty



AVAILABLE SIZES

| Model # | Rack Units | Rack Height |
|-------------|------------|-------------------|
| 1SKB-SC191U | 1U | 1.75" 4.4 cm |
| 1SKB-SC192U | 2U | 3.5" 8.9 cm |
| 1SKB-SC193U | 3U | 5.25" 13.34 cm |
| 1SKB-SC194U | 4U | 7" 17.78 cm |

COMPACT RIGS

The perfect rack mount solution for carrying and protecting smaller pro audio gear as well as complete rolling transportation systems



FEATURES

- Rotationally molded of Linear Medium Density Polyethylene (LMDPE) for maximum impact resistance
- 10U, 7° angled top threaded steel rails for secure mounting of popular mixers/DJ controllers
- 2U/4U/6U threaded vertical steel rails on front
- Top and doors are injection molded of Rubber Modified Styrene (RMS)
- Rack mount hardware included
- Two removable side access plugs



AVAILABLE SIZES

| Model # | Top Rack | Rack Units | Rack Height |
|------------|----------|---------------------|-------------------|
| 1SKB-R100 | 10U | None | 11.25" 28.6 cm |
| 1SKB-R102 | 10U | 2U | 14.5" 36.8 cm |
| 1SKB-R104 | 10U | 4U | 17.75" 45.1 cm |
| 1SKB-R106 | 10U | 6U | 21.25" 54 cm |
| 1SKB-R1906 | | 6U Front 6U Back | 15" 38.1 cm |

SPECIALTY RACKS



GIG RIGS

The SKB Gig Rig series has set the standard for mixer/rack cases for more than 15 years, and the 4th Generation Gig Rig offers even more versatility than previous generations



FEATURES

- Rotationally molded of Linear Medium Density Polyethylene (LMDPE) for maximum impact resistance
- 7° angled top threaded steel rails for secure mounting of popular mixers
- Threaded vertical steel rails on front and back
- Rack mount hardware included
- Unique 3-piece design uses the top cover as a pedestal when attached to the wheeled base



AVAILABLE SIZES

| Model # | Top Rack | Vertical Front Rack | Rack Height |
|--------------|----------|---------------------|------------------|
| 1SKB19-R1406 | 14U | 6U Front 6U Back | 26.5" 67.3 cm |
| 1SKB19-R1208 | 12U | 8U Front 8U Back | 29.5" 74.9 cm |



ACCESSORIES



1SKB-1916 Shockmount Roto Caster Kit

Roto-molded caster board with 3" locking wheels for stacking 20" shock racks for convenient transportation



 (page 14 only)

3SKB-HPK Heavy Payload Kit

Load spreaders for stability, and extra shock absorbers for shock and vibration when additional weight is required; load capacity 150 lbs to 300 lbs (fits all 3SKB 24", 28" and 30" shock racks)



1SKB19-AC1 Rack Mount Hardware

Package of 12 clips and screws for mounting electronics



3SKB-SA Shock Absorber Kit

Set of 8 extra shock absorbers with a capable load range of 40 to 150 lbs (18 kg to 68 kg)



3i-HD81 iSeries HD81 Large Replacement Colored Handles

8.625" long colored handles to help differentiate between black cases; available in four colors: (BE) Blue, (RD) Red, (GN) Green and (YW) Yellow



3SKB-SLP Shipping Label Plate

12" x 7" aluminum label that can be mounted for secure labelling (comes with installation kit)



3SKB-BB60 Small Accessory Pocket

Attaches to case lids: 20" x 10" x 3"



3SKB-BB61 Large Accessory Pocket

Attaches to case lids: 20" x 15.5" x 3"



3SKB-SR20 20" Support Rails

Zinc plated steel rails for additional support



3SKB-SR28 28" Support Rails

Zinc plated steel rails for additional support



3SKB-BB62 Caster Accessory Bag

12" x 9.5" x 3.5" accessory bag with compartments for storing shock rack casters (comes with hardware)



3SKB-SR24 24" Support Rails

Zinc plated steel rails for additional support



3SKB-SR30 30" Support Rails

Zinc plated steel rails for additional support



* Customization options available. Check with your dealer or sales representative.

SHOCK RACK SIZE OPTIONS

| All Racks Model # | Rack Height U Size | | | Rack Length/Depth | | 19 Rack Width | | Lid I.D. Front/Back | | Length O.D. | | Width O.D. | | Height O.D. | | Product Weight | | Shock Absorbers |
|----------------------|-----------------------|-------|-----|----------------------|-----|------------------|-----|------------------------|----------|----------------|------|---------------|-----|----------------|-----|-------------------|------|--------------------|
| | U | in | mm | in | mm | in | mm | in | mm | in | mm | in | mm | in | mm | lb | kg | (Y/N) |
| 3RR-3U20-22B | 3 | 5.25 | 133 | 20 | 508 | 18.31 | 465 | 2 | 51 | 32.3 | 819 | 23.9 | 607 | 11 | 279 | 44.4 | 20.1 | Y |
| 3RS-3U20-22B | 3 | 5.25 | 133 | 20 | 508 | 18.31 | 465 | 2 | 51 | 32.3 | 819 | 23.9 | 607 | 11 | 279 | 34.5 | 15.6 | Y |
| 3RR-3U24-25B | 3 | 5.25 | 133 | 24 | 610 | 18.31 | 465 | 2 / 5 | 51 / 127 | 39.1 | 992 | 23.8 | 605 | 11.8 | 301 | 57 | 25.9 | Y |
| 3RS-3U24-25B | 3 | 5.5 | 140 | 24 | 610 | 18.31 | 465 | 2 / 5 | 51 / 127 | 39.1 | 992 | 23.8 | 605 | 11.8 | 301 | 46.6 | 21.1 | Y |
| 3RR-3U30-25B | 3 | 5.25 | 133 | 30 | 762 | 18.31 | 465 | 2 / 5 | 51 / 127 | 45 | 1144 | 23.8 | 605 | 11.8 | 301 | 50.4 | 22.9 | Y |
| 3RS-3U30-25B | 3 | 5.5 | 140 | 30 | 762 | 18.31 | 465 | 2 / 5 | 51 / 127 | 45 | 1144 | 28.8 | 732 | 11.8 | 301 | 50.4 | 22.9 | Y |
| 3RR-4U20-22B | 4 | 7 | 178 | 20 | 508 | 18.31 | 465 | 2 | 51 | 32.3 | 819 | 23.9 | 607 | 13.5 | 343 | TBA | TBA | Y |
| 3RS-4U20-22B | 4 | 7 | 178 | 20 | 508 | 18.31 | 465 | 2 | 51 | 32.3 | 819 | 23.9 | 607 | 13.5 | 343 | TBA | TBA | Y |
| 1SKB-R904U20 | 4 | 7 | 178 | 20 | 508 | 18.31 | 465 | 2.25 | 57 | 27 | 686 | 27.7 | 702 | 15.5 | 394 | 36 | 16.3 | Y |
| 3SKB-R04U20W | 4 | 7 | 178 | 20 | 508 | 18.31 | 465 | 2.25 | 57 | 28.5 | 724 | 28 | 711 | 16 | 406 | 44.3 | 20.1 | Y |
| 3RR-4U24-25B | 4 | 7 | 178 | 24 | 610 | 18.31 | 465 | 2 / 5 | 51 / 127 | 39.1 | 992 | 23.8 | 605 | 13.5 | 344 | 66.8 | 30.3 | Y |
| 3RS-4U24-25B | 4 | 7 | 178 | 24 | 610 | 18.31 | 465 | 2 / 5 | 51 / 127 | 39.1 | 992 | 23.8 | 605 | 13.5 | 344 | 50.6 | 23 | Y |
| 3SKB-R904U24 | 4 | 7 | 178 | 24 | 610 | 18.31 | 465 | 4.5 | 114 | 36 | 914 | 26.8 | 679 | 16.3 | 413 | 58 | 26.3 | Y |
| 3SKB-R904U28 | 4 | 7 | 178 | 29.25 | 743 | 18.31 | 465 | 4.5 | 114 | 42 | 1067 | 26.8 | 679 | 16.3 | 413 | 61.5 | 27.9 | Y |
| 3RR-4U30-25B | 4 | 7 | 178 | 30 | 762 | 18.31 | 465 | 2 / 5 | 51 / 127 | 45 | 1144 | 23.8 | 605 | 13.5 | 344 | 66.6 | 30.2 | Y |
| 3RS-4U30-25B | 4 | 7 | 178 | 30 | 762 | 18.31 | 465 | 2 / 5 | 51 / 127 | 45 | 1144 | 23.8 | 605 | 13.5 | 344 | 53.8 | 24.4 | Y |
| 3SKB-R904U30 | 4 | 7 | 178 | 30 | 762 | 18.31 | 465 | 4.5 | 114 | 42 | 1067 | 26.8 | 679 | 16.3 | 413 | 60.8 | 27.6 | Y |
| 3RR-5U20-22B | 5 | 8.75 | 222 | 20 | 508 | 18.31 | 465 | 2 | 51 | 32.3 | 819 | 23.9 | 607 | 15.3 | 389 | TBA | TBA | Y |
| 3RS-5U20-22B | 5 | 8.75 | 222 | 20 | 508 | 18.31 | 465 | 2 | 51 | 32.3 | 819 | 23.9 | 607 | 15.3 | 389 | TBA | TBA | Y |
| 3RR-5U24-25B | 5 | 8.75 | 222 | 24 | 610 | 18.31 | 465 | 2 / 5 | 51 / 127 | 39.1 | 992 | 23.8 | 605 | 15.3 | 390 | 66 | 29.9 | Y |
| 3RS-5U24-25B | 5 | 8.75 | 222 | 24 | 610 | 18.31 | 465 | 2 / 5 | 51 / 127 | 39.1 | 992 | 23.8 | 605 | 15.3 | 390 | 50.2 | 22.8 | Y |
| 3RR-5U30-25B | 5 | 8.75 | 222 | 30 | 762 | 18.31 | 465 | 2 / 5 | 51 / 127 | 45 | 1144 | 23.8 | 605 | 15.3 | 390 | 68.6 | 31.1 | Y |
| 3RS-5U30-25B | 5 | 8.75 | 222 | 30 | 762 | 18.31 | 465 | 2 / 5 | 51 / 127 | 45 | 1144 | 23.8 | 605 | 15.3 | 390 | 55.8 | 25.3 | Y |
| 3RR-6U20-22B | 6 | 10.5 | 267 | 20 | 508 | 18.31 | 465 | 2 | 51 | 32.3 | 819 | 23.9 | 607 | 17.1 | 433 | TBA | TBA | Y |
| 3RS-6U20-22B | 6 | 10.5 | 267 | 20 | 508 | 18.31 | 465 | 2 | 51 | 32.3 | 819 | 23.9 | 607 | 17.1 | 433 | TBA | TBA | Y |
| 1SKB-R906U20 | 6 | 10.5 | 267 | 20 | 508 | 18.31 | 465 | 2.25 | 57 | 27 | 686 | 27.8 | 705 | 18.9 | 479 | 43.3 | 19.6 | Y |
| 3SKB-R06U20W | 6 | 10.5 | 267 | 20 | 508 | 18.31 | 465 | 2.25 | 57 | 28.5 | 724 | 28 | 711 | 19.5 | 495 | 50.7 | 23 | Y |
| 3SKB-R906U24 | 6 | 10.5 | 267 | 24 | 610 | 18.31 | 465 | 4.5 | 114 | 36 | 914 | 26.8 | 679 | 20 | 507 | 66.6 | 30.2 | Y |
| 3SKB-R906U28 | 6 | 10.5 | 267 | 29.25 | 743 | 18.31 | 465 | 4.5 | 114 | 42 | 1067 | 26.8 | 679 | 19.5 | 495 | 67.8 | 30.8 | Y |
| 3SKB-R906U30 | 6 | 10.5 | 267 | 30 | 762 | 18.31 | 465 | 4.5 | 114 | 42 | 1067 | 26.8 | 679 | 19.5 | 495 | 66.8 | 30.3 | Y |
| 3RR-7U20-22B | 7 | 12.25 | 311 | 20 | 508 | 18.31 | 465 | 2 | 51 | 32.3 | 819 | 23.9 | 607 | 18.8 | 478 | TBA | TBA | Y |
| 3RS-7U20-22B | 7 | 12.25 | 311 | 20 | 508 | 18.31 | 465 | 2 | 51 | 32.3 | 819 | 23.9 | 607 | 18.8 | 478 | TBA | TBA | Y |
| 3RR-7U24-25B | 7 | 12.25 | 311 | 24 | 610 | 18.31 | 465 | 2 / 5 | 51 / 127 | 39.1 | 992 | 23.8 | 605 | 18.8 | 479 | 68.6 | 31.1 | Y |
| 3RS-7U24-25B | 7 | 12.25 | 311 | 24 | 610 | 18.31 | 465 | 2 / 5 | 51 / 127 | 39.1 | 992 | 23.8 | 605 | 18.8 | 479 | 55.8 | 25.3 | Y |
| 1SKB-R908U20 | 8 | 14 | 356 | 20 | 508 | 18.31 | 465 | 2.25 | 57 | 29 | 737 | 27.8 | 705 | 22.3 | 565 | 46.5 | 21.1 | Y |
| 3SKB-R08U20W | 8 | 14 | 356 | 20 | 508 | 18.31 | 465 | 2.25 | 57 | 30.5 | 775 | 28 | 711 | 23 | 584 | 56 | 25.4 | Y |
| 3SKB-R908U24 | 8 | 14 | 356 | 24 | 610 | 18.31 | 465 | 4.5 | 114 | 36 | 914 | 26.8 | 679 | 23.3 | 591 | 74.7 | 33.9 | Y |
| 3SKB-R908U28 | 8 | 14 | 356 | 29.25 | 743 | 18.31 | 465 | 4.5 | 114 | 42 | 1067 | 26.8 | 679 | 23.5 | 597 | 78.2 | 35.4 | Y |
| 3SKB-R908U30 | 8 | 14 | 356 | 30 | 762 | 18.31 | 465 | 4.5 | 114 | 42 | 1067 | 26.8 | 679 | 23.5 | 597 | 76.8 | 34.8 | Y |
| 3RR-9U20-22B | 9 | 15.75 | 400 | 20 | 508 | 18.31 | 465 | 2 | 51 | 32.3 | 819 | 23.9 | 607 | 22.3 | 566 | TBA | TBA | Y |
| 3RS-9U20-22B | 9 | 15.75 | 400 | 20 | 508 | 18.31 | 465 | 2 | 51 | 32.3 | 819 | 23.9 | 607 | 22.3 | 566 | TBA | TBA | Y |
| 3RR-9U24-25B | 9 | 15.75 | 400 | 24 | 610 | 18.31 | 465 | 2 / 5 | 51 / 127 | 39.1 | 992 | 23.8 | 605 | 22.3 | 567 | 77 | 34.9 | Y |
| 3RS-9U24-25B | 9 | 15.75 | 400 | 24 | 610 | 18.31 | 465 | 2 / 5 | 51 / 127 | 39.1 | 992 | 23.8 | 605 | 22.3 | 567 | 65.4 | 29.6 | Y |
| 1SKB-R910U20 | 10 | 17.5 | 445 | 20 | 508 | 18.31 | 465 | 3.25 | 83 | 29 | 737 | 27.8 | 705 | 26.1 | 664 | 54.4 | 24.7 | Y |
| 3SKB-R10U20W | 10 | 17.5 | 445 | 20 | 508 | 18.31 | 465 | 2.25 | 57 | 30.5 | 775 | 28 | 711 | 26.5 | 673 | 59 | 26.8 | Y |
| 3SKB-R910U24 | 10 | 17.5 | 445 | 24 | 610 | 18.31 | 465 | 4.5 | 114 | 36 | 914 | 26.8 | 679 | 26.8 | 679 | 79.9 | 36.2 | Y |
| 3SKB-R910U28 | 10 | 17.5 | 445 | 29.25 | 743 | 18.31 | 465 | 4.5 | 114 | 42 | 1067 | 26.8 | 679 | 27.3 | 692 | 81.3 | 36.9 | Y |
| 3SKB-R910U30 | 10 | 17.5 | 445 | 30 | 762 | 18.31 | 465 | 4.5 | 114 | 42 | 1067 | 26.8 | 679 | 27.3 | 692 | 79.9 | 36.2 | Y |
| 3RR-11U20-22B | 11 | 19.25 | 489 | 20 | 508 | 18.31 | 465 | 2 | 50.8 | 32.3 | 819 | 23.9 | 607 | 25.8 | 655 | TBA | TBA | Y |

RACK SPECIFICATIONS



| All Racks Model # | Rack Height U Size | | | Rack Length/Depth | | 19 Rack Width | | Lid I.D. Front/Back | | Length O.D. | | Width O.D. | | Height O.D. | | Product Weight | | Shock Absorbers |
|----------------------|-----------------------|-------|-----|----------------------|-----|------------------|-----|------------------------|----------|----------------|-----|---------------|-----|----------------|-----|-------------------|------|--------------------|
| | U | in | mm | in | mm | in | mm | in | mm | in | mm | in | mm | in | mm | lb | kg | (Y/N) |
| 3RS-11U20-22B | 11 | 19.25 | 489 | 20 | 508 | 18.31 | 465 | 2 | 50.8 | 32.3 | 819 | 23.9 | 607 | 25.8 | 655 | TBA | TBA | Y |
| 3RR-11U24-25B | 11 | 19.25 | 489 | 24 | 610 | 18.31 | 465 | 2 / 5 | 51 / 127 | 39.1 | 992 | 23.8 | 605 | 25.8 | 656 | 83.2 | 37.7 | Y |
| 3RS-11U24-25B | 11 | 19.25 | 489 | 24 | 610 | 18.31 | 465 | 2 / 5 | 51 / 127 | 39.1 | 992 | 23.8 | 605 | 25.8 | 656 | 70 | 31.8 | Y |
| 1SKB-R912U20 | 12 | 21 | 533 | 20 | 508 | 18.31 | 465 | 3.25 | 83 | 29 | 737 | 27.8 | 705 | 26.9 | 683 | 57 | 25.8 | Y |
| 3SKB-R12U20W | 12 | 21 | 533 | 20 | 508 | 18.31 | 465 | 2.25 | 57 | 30.5 | 775 | 28 | 711 | 30 | 762 | 68 | 30.8 | Y |
| 3SKB-R912U24 | 12 | 21 | 533 | 24 | 610 | 18.31 | 465 | 4.5 | 114 | 36 | 914 | 26.8 | 679 | 30.5 | 773 | 83.3 | 37.8 | Y |
| 3RR-14U20-22B | 14 | 24.5 | 622 | 20 | 508 | 18.31 | 465 | 2 | 50.8 | 32.3 | 819 | 23.9 | 607 | 30.9 | 785 | TBA | TBA | Y |
| 3RS-14U20-22B | 14 | 24.5 | 622 | 20 | 508 | 18.31 | 465 | 2 | 50.8 | 32.3 | 819 | 23.9 | 607 | 30.9 | 785 | TBA | TBA | Y |
| 1SKB-R914U20 | 14 | 24.5 | 622 | 20 | 508 | 18.31 | 465 | 3.25 | 83 | 29 | 737 | 27.9 | 708 | 32.4 | 822 | 68.6 | 31.1 | Y |
| 3RR-14U24-25B | 14 | 24.5 | 622 | 24 | 610 | 18.31 | 465 | 2 / 5 | 51 / 127 | 39.1 | 992 | 23.8 | 605 | 30.9 | 786 | 94.8 | 43 | Y |
| 3RS-14U24-25B | 14 | 24.5 | 622 | 24 | 610 | 18.31 | 465 | 2 / 5 | 51 / 127 | 39.1 | 992 | 23.8 | 605 | 30.9 | 786 | 71 | 32.2 | Y |
| 3SKB-R914U24 | 14 | 24.5 | 622 | 24 | 610 | 18.31 | 465 | 4.5 | 114 | 36 | 914 | 26.8 | 679 | 34 | 862 | 94.2 | 42.7 | Y |
| 1SKB-R916U20 | 16 | 28 | 711 | 20 | 508 | 18.31 | 465 | 3.25 | 83 | 29 | 737 | 27.3 | 692 | 35.9 | 911 | 76 | 34.5 | Y |
| 3SKB-R916U24 | 16 | 28 | 711 | 24 | 610 | 18.31 | 465 | 4.5 | 114 | 36 | 914 | 26.8 | 679 | 38 | 965 | 102.6 | 46.5 | Y |

NON-SHOCK RACK SIZE OPTIONS

* Two rack options available: Bottom rack dimensions listed first

| All Racks Model # | Rack Height U Size | | | Rack Length/Depth | | 19 Rack Width | | Lid I.D. Front/Back | | Length O.D. | | Width O.D. | | Height O.D. | | Product Weight | | Shock Absorbers |
|----------------------|-----------------------|-------------|-----------|----------------------|----------|------------------|-----|------------------------|-----|----------------|-----|---------------|-----|----------------|-----|-------------------|------|--------------------|
| | U | in | mm | in | mm | in | mm | in | mm | in | mm | in | mm | in | mm | lb | kg | (Y/N) |
| 1SKB-SC191U | 1 | 1.75 | 44 | 1 | 25 | 18.31 | 465 | N/A | N/A | 17.5 | 445 | 20.8 | 527 | 3.8 | 95 | 6.6 | 3 | N |
| 1SKB-SC192U | 2 | 3.5 | 89 | 2 | 51 | 18.31 | 465 | N/A | N/A | 17.5 | 445 | 20.8 | 527 | 6.5 | 165 | 9 | 4.1 | N |
| 1SKB-R2S | 2 | 3.5 | 89 | 10.7 | 272 | 18.31 | 465 | 1.25 | 32 | 16.2 | 411 | 22.4 | 569 | 6.1 | 156 | 9.4 | 4.3 | N |
| 1SKB-iSF2U | 2 | 3.5 | 89 | 11.25 | 286 | 18.31 | 465 | 2 | 51 | 21.8 | 552 | 13.9 | 352 | 9 | 229 | 15.3 | 6.9 | N |
| 3i-2217M82U | 2 | 3.5 | 89 | 12.75 | 324 | 18.31 | 465 | N/A | N/A | 24.4 | 619 | 19.5 | 495 | 8.8 | 222 | 19.1 | 8.6 | N |
| 1SKB-R2U | 2 | 3.5 | 89 | 17.6 | 447 | 18.31 | 465 | 1.25 | 32 | 24 | 610 | 22.4 | 569 | 5.9 | 149 | 10.8 | 4.9 | N |
| 1SKB-R3S | 3 | 5.25 | 133 | 10.7 | 272 | 18.31 | 465 | 1.25 | 32 | 16.2 | 411 | 22.4 | 569 | 7.9 | 200 | 10.5 | 4.8 | N |
| 3i-2217M103U | 3 | 5.25 | 133 | 12.75 | 324 | 18.31 | 465 | N/A | N/A | 24.3 | 616 | 19.5 | 495 | 12.3 | 311 | 26.5 | 12 | N |
| 1SKB-R3U | 3 | 5.25 | 133 | 17.6 | 447 | 18.31 | 465 | 1.25 | 32 | 24 | 610 | 22.4 | 569 | 7.6 | 194 | 12.3 | 5.6 | N |
| 1SKB-R4S | 4 | 7 | 178 | 6 | 152 | 18.31 | 465 | 1.25 | 32 | 16.2 | 411 | 22.4 | 569 | 9.1 | 231 | 11.8 | 5.4 | N |
| 3i-2217M124U | 4 | 7 | 178 | 12.75 | 324 | 18.31 | 465 | N/A | N/A | 24.5 | 622 | 19.5 | 495 | 14.5 | 368 | 28.6 | 13 | N |
| 1SKB-iSF4U | 4 | 7 | 178 | 11.25 | 286 | 18.31 | 465 | 2 | 51 | 24 | 610 | 18.8 | 476 | 12.8 | 324 | 22.1 | 10 | N |
| 1SKB-R4U | 4 | 7 | 178 | 17.6 | 447 | 18.31 | 465 | 1.25 | 32 | 24 | 610 | 22.4 | 569 | 9.4 | 238 | 14.7 | 6.7 | N |
| 1SKB-R4UW | 4 | 7 | 178 | 17.5 | 445 | 18.31 | 465 | 1.5 | 38 | 26.5 | 673 | 22.5 | 572 | 11.5 | 292 | 22.9 | 10.4 | N |
| 1SKB-R6S | 6 | 10.5 | 267 | 10.7 | 272 | 18.31 | 465 | 1.25 | 32 | 16.2 | 411 | 22.4 | 569 | 13.1 | 333 | 15.9 | 7.2 | N |
| 3i-2317M146U | 6 | 10.5 | 267 | 12.75 | 324 | 18.31 | 465 | N/A | N/A | 25.8 | 654 | 19.5 | 495 | 15.5 | 394 | 31.2 | 14 | N |
| 1SKB-R6U | 6 | 10.5 | 267 | 17.6 | 447 | 18.31 | 465 | 1.25 | 32 | 24 | 610 | 22.4 | 569 | 13 | 330 | 18.4 | 8.3 | N |
| 1SKB-R6UW | 6 | 10.5 | 267 | 17.5 | 445 | 18.31 | 465 | 1.5 | 38 | 26.5 | 673 | 22.5 | 572 | 15 | 381 | 25.4 | 11.5 | N |
| 1SKB-R8U | 8 | 14 | 356 | 17.6 | 447 | 18.31 | 465 | 1.25 | 32 | 24 | 610 | 22.4 | 569 | 16.7 | 424 | 22.3 | 10.1 | N |
| 1SKB-R8UW | 8 | 14 | 356 | 17.5 | 445 | 18.31 | 465 | 1.5 | 37 | 26.8 | 679 | 22.5 | 572 | 18.5 | 470 | 28.6 | 13 | N |
| 1SKB-R100 | 10 | 17.5 | 445 | 5.25 | 133 | 18.31 | 465 | N/A | N/A | 23.3 | 591 | 22.8 | 578 | 11.8 | 298 | 16.2 | 7.3 | N |
| 1SKB-R10U | 10 | 17.5 | 445 | 17.6 | 447 | 18.31 | 465 | 1.25 | 32 | 24 | 610 | 22.4 | 569 | 20.3 | 514 | 23.8 | 10.8 | N |
| 1SKB-R12U | 12 | 21 | 533 | 17.6 | 447 | 18.31 | 465 | 1.25 | 32 | 24 | 610 | 22.4 | 569 | 23.6 | 600 | 29.2 | 13.2 | N |
| *1SKB-R102 | 10 / 2 | 17.5 / 3.5 | 445 / 89 | 19.5 / 3.5 | 495 / 89 | 18.31 | 465 | N/A | N/A | 23.1 | 587 | 23.1 | 587 | 14.1 | 359 | 20 | 9.1 | N |
| 1SKB-R102W | 10 / 2 | 17.5 / 3.5 | 445 / 89 | 19.5 / 3.5 | 495 / 89 | 18.31 | 465 | N/A | N/A | 28 | 711 | 23.5 | 597 | 14.3 | 362 | 20 | 9.1 | N |
| *1SKB-R104 | 10 / 4 | 17.5 / 7 | 445 / 178 | 19.5 / 3.5 | 495 / 89 | 18.32 | 465 | N/A | N/A | 23.9 | 607 | 23.3 | 591 | 17.8 | 451 | 22.7 | 10.3 | N |
| 1SKB-R104W | 10 / 4 | 17.5 / 7 | 445 / 178 | 19.5 / 3.5 | 495 / 89 | 18.31 | 465 | N/A | N/A | 27.8 | 705 | 23 | 584 | 19.3 | 489 | 20 | 9.1 | N |
| *1SKB-R106 | 10 / 6 | 17.5 / 10.5 | 445 / 267 | 19.5 / 3.5 | 495 / 89 | 18.33 | 466 | N/A | N/A | 23.6 | 600 | 23 | 584 | 21.4 | 544 | 25.4 | 11.5 | N |
| 1SKB-R106W | 10 / 6 | 17.5 / 10.5 | 445 / 267 | 19.5 / 3.5 | 495 / 89 | 18.31 | 465 | N/A | N/A | 28 | 711 | 23 | 584 | 22.8 | 578 | 37.6 | 17 | N |
| *1SKB19-R1208 | 12 / 8 | 21 / 14 | 533 / 356 | 19.5 / 3.5 | 495 / 89 | 18.34 | 466 | N/A | N/A | 27.5 | 699 | 23.5 | 597 | 29.5 | 749 | 68.6 | 31.1 | N |
| *1SKB19-R1406 | 14 / 6 | 24.5 / 10.5 | 622 / 267 | 19.5 / 3.5 | 495 / 89 | 18.35 | 466 | N/A | N/A | 32.3 | 819 | 24 | 610 | 26.1 | 664 | 69.5 | 31.5 | N |



TRANSPORTABLE RACK CASES

The Ultimate Protection For Your Sensitive Equipment

SKB WARRANTY

LIFETIME WARRANTY

SKB injection molded, roto-molded, and ATA-rated hard case products are fully warranted against defects in materials and craftsmanship for the lifetime of the case to the original owner. SKB will repair or replace any product found to be defective. SKB DOES NOT REPLACE CASES FOR DAMAGED HARDWARE. All locks, handles, and wheels have been made to be field replaceable, take just minutes to install, and will be supplied to you at no charge via US mail. Please contact our customer service department at (800) 783-0087 with any parts requests.

SOFT PRODUCT WARRANTY

SKB Soft Products are fully warranted to the original owner against defects in materials and craftsmanship for one (1) year from purchase. Any defects in workmanship will be covered by SKB. Damages due to accident, improper care, negligence or normal wear, where SKB is not at fault, are not covered.



CORPORATE & MANUFACTURING HEADQUARTERS

434 W. Levers Place
Orange CA 92867
ph: (714) 637-1252

www.skbcases.com

SKB EUROPE

Hamelendijk 2
5541 RA Reusel
Netherlands
ph: +31 (0) 497 339 836

www.skbcases.com

SKB MIDDLE EAST—AFRICA

Business Centre, Dubai World Central
(Dubai South)
PO Box: 390667
Dubai Aviation City, Dubai UAE
ph: +971 4 820 8017

www.skbcases-mea.com